

# Industrial Uninterruptible Power Supply (UPS)

## specifications

The Uninterruptible Power Supply (UPS) shall be powered by 24VDC (nominal) input and provide 24VDC (nominal) output at 35 Watts (max.) for a duration of 5 minutes (min.). Ultracapacitors shall be employed for energy storage instead of rechargeable batteries, for maintenance-free operation. Remote device management shall be provided via Ethernet interface and multiple source, platform independent software. The UPS shall have the ability to monitor load current and predict Hold Time in single- or dual-power supply applications. The UPS shall monitor and report temperature to predict changes in capacity over its lifetime. The UPS shall offer DIN rail mounting and UL508 approval for integration into NEMA control panels or equipment cabinets.



## technical information

<b>Input power:</b>	24.0 to 28.0 VDC
<b>Output power:</b>	35 Watts (1.6 Amps) max.
<b>Control output:</b>	1x Form A , 30VAC/VDC at 1 Amp max.
<b>Operating temp:</b>	-40°C to +60°C (-40°F to +140°F)
<b>Standards:</b>	c(ETL)us UL 1778 and CSA C22.2 No. 107.3-05 c(UL)us UL 508 and CSA-C22.2 No. 107.1-01 (R2011) cRUus UL 60950-1, CSA C22.2 No. 60950-1-07 IEC 60950-1 ISA 12.12.01, CSA C22.2 No. 213-1987M (R2013) for Use in Class I and II, Division 2 and Class III, Divisions 1 and 2 Hazardous (Classified) Locations FCC Title 47 CFR 15 Subpart B Emissions Class A CAN ICES-3(A)/NMB-3(A), ICES-003 Issue 5
<b>Mounting:</b>	EN 60715 NS35 DIN rail mount
<b>RoHS compliant:</b>	Yes
<b>Environmental rating:</b>	EN 60529 IP20
<b>Event management:</b>	Yes (event log)
<b>Backup power:</b>	Storage capacity: 15kW-sec (equivalent to 0.2 Amp-hours at 22VDC) Hold Time: 6.25 minutes, min. at 35W load Hold Time prediction: Yes Lifetime prediction: Yes
<b>Communications interface:</b>	Ethernet (RJ45)
<b>Network interface:</b>	EtherNet/IP CONFORMANCE TESTED**
<b>User interface:</b>	HTML browser

## key features and benefits

<b>Ultracapacitor energy storage technology</b>	<ul style="list-style-type: none"> <li>No Battery design eliminates the #1 cause of UPS failures</li> <li>Maintenance-free for lower cost of ownership eliminating battery inspections, testing, replacement, disposal, and spare parts management</li> <li>No HazMat waste battery disposal costs</li> <li>Eliminates hydrogen gas buildup inside the enclosure</li> </ul>
<b>Remote load and capacity monitoring</b>	<ul style="list-style-type: none"> <li>Remotely monitor device health from the floor or your office</li> <li>Ability to view multiple devices; saves time of having to physically connect a laptop to individual devices to perform health checks</li> </ul>
<b>Remote device management</b>	<ul style="list-style-type: none"> <li>EtherNet/IP***connectivity to multiple devices with virtually no distance limitations; easily integrates with factory automation software</li> <li>User interface through standard web browsers requires no proprietary software and is platform-independent</li> </ul>
<b>Improved integration</b>	<ul style="list-style-type: none"> <li>80mm DIN Rail width saves valuable panel space; single unit design installs quickly and easily</li> <li>Wide operating temperature range: -40°C to +60°C is standard</li> </ul>

\*\*EtherNet/IP CONFORMANCE TESTED is a certification mark of ODVA.

\*\*\* EtherNet/IP is a trademark of ODVA.

<b>Industrial UPS</b>	
<b>UPS</b>	UPS003024024015
<b>Load Sense Module (Optional Accessory)</b>	
<b>LSM</b>	UPS003LSM
<b>IndustrialNet™ Ethernet Enclosures</b>	
<b>Pre-configured large (3-Din rail) zone enclosure:</b> IAZ2436C	
<b>Pre-configured medium (2-Din rail) zone enclosure:</b> IAZ2424C	
<b>Integrated Network Zone Systems</b>	
<b>Integrated Zone System, 24x24" (various configurations):</b> Z22N-xxxxx*	
<b>Zone System, 24x36" (various configurations):</b> Z23N-xxxxx*	

\*Available in a variety of configurations.

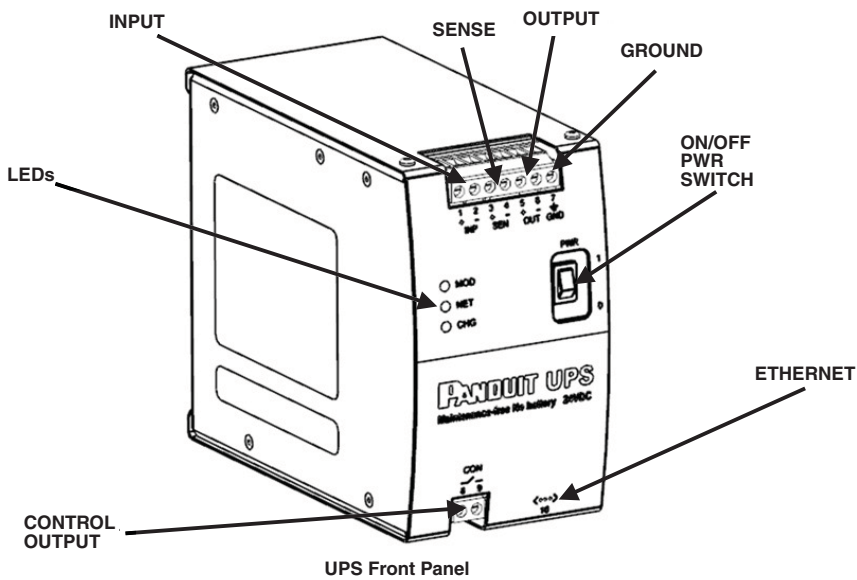
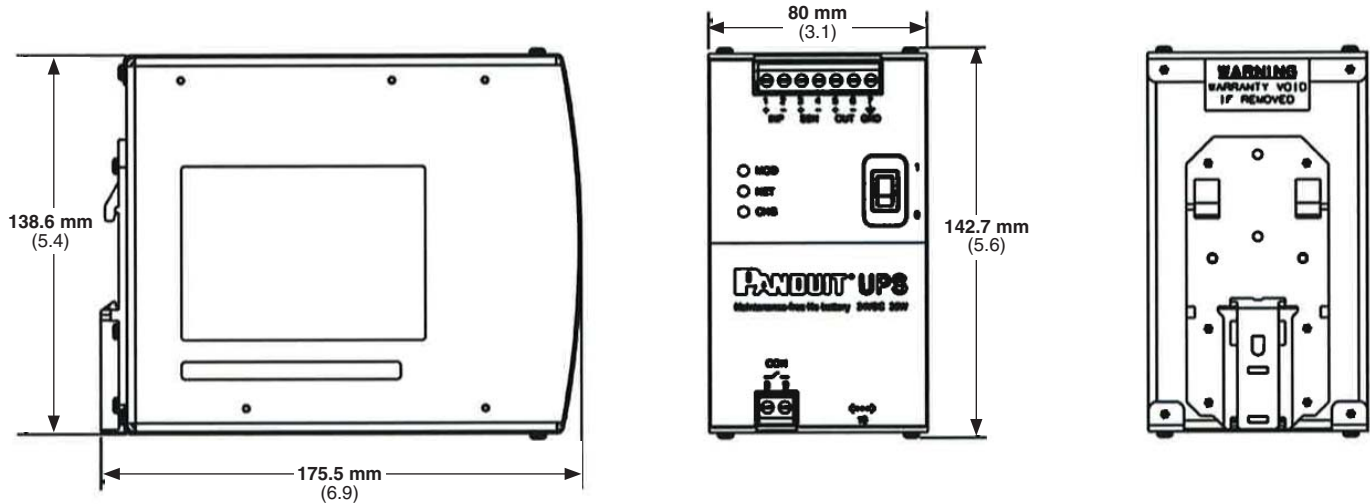
Available from

# Industrial Uninterruptible Power Supply (UPS)

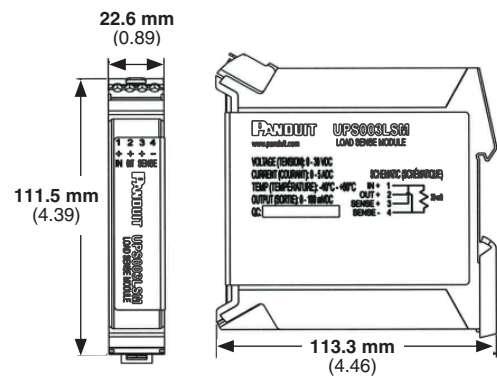
## applications

The Panduit Industrial UPS is intended to provide uninterrupted power for critical applications including managed network switches, micro PLCs, and HMIs deployed on the factory floor. The device is suitable for use in extremely low temperature environments and elevated temperatures without loss of performance or reduced life.

### UPS



### Load Sense Module (Optional Accessory)



Dimensions are metric. (Dimensions in parentheses are inches.)

### WORLDWIDE SUBSIDIARIES AND SALES OFFICES

PANDUIT CANADA  
Markham, Ontario  
cs-cdn@panduit.com  
Phone: 800.777.3300

PANDUIT EUROPE LTD.  
London, UK  
cs-emea@panduit.com  
Phone: 44.20.8601.7200

PANDUIT SINGAPORE PTE. LTD.  
Republic of Singapore  
cs-ap@panduit.com  
Phone: 65.6305.7575

PANDUIT JAPAN  
Tokyo, Japan  
cs-japan@panduit.com  
Phone: 81.3.6863.6000

PANDUIT LATIN AMERICA  
Guadalajara, Mexico  
cs-la@panduit.com  
Phone: 52.33.3777.6000

PANDUIT AUSTRALIA PTY. LTD.  
Victoria, Australia  
cs-aus@panduit.com  
Phone: 61.3.9794.9020

For a copy of Panduit product warranties, log on to [www.panduit.com/warranty](http://www.panduit.com/warranty)

For more information

Visit us at [www.panduit.com](http://www.panduit.com)

Contact Customer Service by email: [cs@panduit.com](mailto:cs@panduit.com)  
or by phone: 800.777.3300

**PANDUIT**

© 2014 Panduit Corp.  
ALL RIGHTS RESERVED.  
PUSP12--WW-ENG  
4/2014