

UL 98 Non-Fusible Disconnect Switches

UL 98 Non-Fused Switches

Mersen's non-fusible disconnect switches are listed to UL 98 and bear the CE mark as conformance to IEC 60947-3. They are "service entrance" devices that are capable of fully rated load-break and load-make. All switches over 100A have windows to provide visual indication of the contact status. Engineered to have the smallest footprint, these switches also employ a modular design that enables the handle to be placed amongst the poles or at the ends.

A wide range of ergonomic handles is available, as well as all manner of accessories, to accommodate multiple applications.

Features/Benefits

- Service entrance rated
- Front or side operation
- Most compact size
- Internally mounted auxiliary contacts
- Flange mounting accessories

Applications:

- Service entrance or main panel disconnects
- "Make and break" power circuit applications on load
- Electrical isolation
- Safety switch



Ratings UL:

- Volts** : 600VAC
- Amps** : 30A, 60A, 100A, 200A, 400A, 600A, 800A, 1200A
- SCCR** : Up to 200kA with fuses
Suitable as motor disconnect

Configurations



Catalog Number Designation

		M	200	U	3	0		
Switch	M = Mersen AC Switch							
Ampacity	16 to 1200							
Type	U = non-fused UL98							
Number of Poles/Left side of Handle	1, 3							
Number of Poles/Right side of Handle	Blank = < 200A non-fused, 0, 2, 3							
Revision	Blank = 0							
Special Configurations	F = Flange-mount Actuation DM = Door mounted							

Approvals:

- All UL switches meet the requirements of UL and CSA
- UL listed guide WHTY, File E191605 for UL 98 (ratings from 30 A to 1200 A)
- IEC 60947-3



Available from

UL 98 Non-Fusible Disconnect Switches

UL 98 Disconnect Switches



M100U3



M200U30 with HD250 Direct Handle



M200U3

Switch Body

Ampere Rating	30	60	100	200
Base Part #	M30U3	M60U3	M100U3	M200U
3-pole configurations				12, 30
For Flange-mount Actuation	M30U3F	M60U3F	M100U3F	
For Door-mounting	M30U3DM	M60U3DM	M100U3DM	

Direct Front Operation Locking Handle				
	HD125	HD125	HD125	HD250

Handles and Shafts

External Front Operation				
Selector Style		HSBX, HSRX		N/A
Shaft—SAxxx (xxx = length in mm)		SA85, SA130, SA180, SA250		N/A
Door-mount handles (no shaft required)		HSBWDM, HSRWDM		N/A
Pistol Style	NEMA Type 1, 3R, 12	HB45, HR45, HB65, HR65		HB80, HR80
	NEMA Type 4, 4X	HB45X, HR45X, HB65X, HR65X		HB80X, HR80X
	NEMA 4X Stainless Steel		HM65X	
Shaft—SPAxxx (xxx = length in mm)		SPA105, SPA120, SPA130, SPA210, SPA290, SPA360, SPA430		



Accessories

Fourth Poles				
	4P60	4P60	4P125	4P250

Neutral Poles				
	NP60	NP60	NP125	

Terminal Shrouds				
3-pole	TS125-3	TS125-3	TS125-3	TS250-13
4-pole	TS125-1	TS125-1	TS125-1	TS250-14

Shrouds with "-3" suffix are single shrouds that cover all three terminals. Shrouds with "-13" or "-14" are single pole shrouds with 3 or 4 per pkg.

Terminal Lugs				
6 per package	Integral	Integral	Integral	LUG200 (#6 - 300MCM) LUG206 (6 x #14-6)

Auxiliary Contacts*				
Normally Open	OA1G01	OA1G01	OA1G01	OA3G01
Normally Closed	OA1G10	OA1G10	OA1G10	OA1G10
NO+NC	OA2G11	OA2G11	OA2G11	
Module for 8 aux. contacts	N/A	N/A	N/A	OEA28

*Rated 2A max continuous @690VAC

Flange Operation				
Flange bracket assembly	Incl with M30U3F**	Incl with M60U3F**	Incl with M100U3F**	FOM4
Rod Flange handle NEMA 12	FHR12	FHR12	FHR12	NA
Rod Flange handle NEMA 4X	FHR4X	FHR4X	FHR4X	NA
Rod, 16 inch	RODNF16	RODNF16	RODNF16	NA
Rod, 24 inch	RODNF24	RODNF24	RODNF24	NA
Cable Flange Handle, NEMA 12	NA	NA	NA	FHC12
Cable Flange Handle, NEMA 4X	NA	NA	NA	FHC4X
Cable for FHC handles	NA	NA	NA	CABLE36*

Other cable lengths available: 48", 60", 72", 84", 96", 108". For example, CABLE108.

**These switches have not been tested to conform to UL standards



UL 98 Non-Fusible Disconnect Switches

UL Listed Front and Side Operated



M400U30



M600U30



M800U30

Switch Body

Ampere Rating	400	600	800	1200
Base Part #	M400U	M600U	M800U	M1200U
3-pole configurations	30, 12	30, 12	30, 12	30

Direct Front Operation Locking Handle

	HD400	HD800	HD800	HD1000
--	-------	-------	-------	--------

External Front Operation

Pistol Style	NEMA Type 1, 3R, 12	HB125	HB145	HB274	HB274
	NEMA Type 4, 4X	HB125X	HB145X	HB274X	HB274X
	NEMA 4X Stainless Steel	HM125X	HM125X	HM175X	HM175X
Shaft— SFBxxx (xxx = length in mm)		SFB135, SFB280, SFB325, SFB395, SFB535			

B=Black. Substitute 'R' for 'B' if a red handle is desired. Ex. HR125

Handles and Shafts



SFB135

HD800

Fourth Poles

	4P400	4P800	4P800	4P1250
--	-------	-------	-------	--------

Terminal Lugs

6 per package	LUG400 #2 - 600MCM	LUG800 2 x #2 600MCM	LUG800 2 x #2 600MCM	LUG1200 4 x 750MCM
---------------	-----------------------	-------------------------	-------------------------	-----------------------

Terminal Shrouds

3-pole (3 single shrouds per package)	TS400-13	TS800-13	TS800-13	TS1600-13
4-pole (4 single shrouds per package)	TS400-14	TS800-14	TS800-14	TS1600-14

Auxiliary Contacts

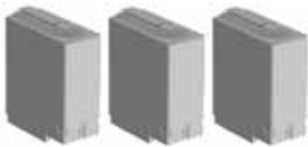
Normally Open	OA1G10	OA1G10	OA1G10	OA1G10
Normally Closed	OA3G01	OA3G01	OA3G01	OA3G01
Module for 8 aux. contacts	OEA28	OEA28	OEA28	OEA28

*Rated 2A max continuous @690VAC

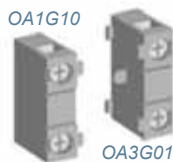
Accessories



4P400



TS250-13



OA1G10

OA3G01



OEA28

UL 98 Non-Fusible Disconnect Switches

Technical Data

Technical data according to UL/cULus							
General purpose amp rating	pf= 0.7...0.8	-40° to 40 °C	A	M30U3 30	M60U3 60	M100U3 100	M200Uxx 200
Max. operating voltage			V	600	600	600	600
Max. horsepower rating / motor FLA current	pf= 0.4...0.5 Three phase	240 V	HP/A	10/28.0	20/54.0	30/80.0	75/192.0
		480 V	HP/A	20/27.0	40/52.0	50/65.0	150/180.0
		600 V	HP/A	30/32.0	40/41.0	50/52.0	200/192.0
	Single phase	120 V	HP/A	2/24.0	3/34.0	5/56.0	
		240 V	HP/A	5/28.0	7.5/40.0	15/68.0	
Short circuit rating with fuse	Maximum fuse size		A	60	150	150	200 400
	Fuse type	CC	kA				
	Fuse type	J	kA	50	50	50	200 65
	Fuse type	T	kA	50	50	50	
	Fuse type	RK1	kA				
	Fuse type	RK5	kA				
	Fuse type	L	kA				
Fuse type	H	kA					
Maximum General Use, DC ratings							
Current rating		at 250 VDC	A				200
		at 600 VDC	A				100
DC horsepower rating for 4-pole switch		at 600 VDC	HP				50
DC horsepower rating for 2-pole switch	In open air	at 125 VDC	HP				20
	In enclosure ²⁾	at 250 VDC	HP				-
DC short circuit rating for 4-pole switch		with circuit breaker	kA				10
DC short circuit rating for 2-pole switch		with circuit breaker at 250 VDC	kA				14
		with circuit breaker at 600 VDC	kA				10
		with class J fuse at 250 VDC	kA				100
		... with fuse size	A				200
Endurances							
Min. electrical endurance, pf. 0.75...0.8			oper. cycles	6 000	6 000	6 000	6 000
Mechanical endurance			operations	20 000	20 000	20 000	20 000
Terminal lug kits				integral	integral	integral	LUG-200
Wire range			AWG	14-4	14-4	8-1/0	4-300MCM
Torque		Wire tightening	lb. in	55	55	55	275
		Lug mounting					72
Technical data according to IEC 60947-3							
Rated insulation voltage and rated operational voltage AC20/DC20	Pollution degree 3		V	750	750	750	1 000
Dielectric strength		50 Hz 1min.	kV	6	6	6	10
Rated impulse withstand voltage			kV	8	8	8	12
Rated operational current, AC-22A		up to 415 V	A	40	63	100	250
		440...500 V	A	40	63	100	250
		690 V	A	40	63	100	250
Rated operational current, AC-23A		up to 415 V	A	40	63	80	250
		440 V	A	40	63	65	250
		500 V	A	40	63	60	250
		690 V	A	40	40	40	250
Rated conditional short-circuit current I_p (r.m.s.) and corresponding max. allowed cut-off current \hat{i}_c . The cut-off current \hat{i}_c refers to values listed by fuse manufacturers	I_p (r.m.s.)	50 kA	kA	16.5	16.5	16.5	
	Max. OFA_fuse size gG/aM	415 V	A	125/125	125/125	125/125	
	I_p (r.m.s.)	10 kA	kA	8.2	8.2	8.2	
	Max. OFA_fuse size gG/aM	690 V	A	125/100	125/100	125/100	
(single phase test acc. to IEC60269)	I_p (r.m.s.)	50 kA	kA	10	10	10	35
	Max. OFA_fuse size gG/aM	690 V	A	63/63	63/63	63/63	355/315
	at prospective SC-current	80 kA	kA				40.5
	Max. OFA_fuse size gG/aM	690 V	A				355/315
Rated short-time withstand current	r.m.s. -value I_{cw}	690 V, 1 s	kA	2.5	2.5	2.5	8
Rated short circuit making capacity	Peak value I_{cm}	690 V/500 V	A	3.6	3.6	3.6	30
Power loss / pole		At rated operational current	W	0.7	1.6	4.0	6.5
Mechanical endurance		Divide by two for operation cycles	Oper.	20 000	20 000	20 000	20 000
Weight without accessories		3-pole	kg	0.36	0.36	0.36	1.2
		4-pole	kg	0.50	0.50	0.50	1.5

1) UL Listed switches are also CSA Approved.

2) Fuse size 70A for RK5.

UL 98 Non-Fusible Disconnect Switches

Technical Data UL 98 Products

Technical data according to UL/cULus							
General purpose amp rating	pf= 0.7...0.8	-40° to 40 °C	A	M400U 400	M600U 600	M800U 800	M1200U 1200
Max. operating voltage			V	600	600	600	600
Max. horsepower rating / motor FLA current	pf= 0.4...0.5 Three phase	240 V	HP/A	125/312.0	200/480.0	200/602	200/602
		480 V	HP/A	250/302.0	450/515.0	500/590	500/590
		600 V	HP/A	350/338.0	500/472.0	500/472	500/472
	Single phase	120 V	HP/A				
		240 V	HP/A				
Short circuit rating with fuse	Maximum fuse size		A	600	600	800	1200
	Fuse type	CC	kA				
	Fuse type	J	kA	100	100		
	Fuse type	T	kA		100		
	Fuse type	RK1	kA				
	Fuse type	RK5	kA			100	
	Fuse type	L	kA			100	100
	Fuse type	H	kA				100
Maximum General Use, DC ratings							
Current rating		at 250 VDC	A	400	600		
		at 600 VDC	A	200	200		
DC horsepower rating for 4-pole switch		at 600 VDC	HP	50	-		
DC horsepower rating for 2-pole switch	In open air	at 125 VDC	HP	40	-		
	In enclosure ²⁾	at 250 VDC	HP	50	50		
DC short circuit rating for 4-pole switch		with circuit breaker	kA	10	10		
		with circuit breaker at 250 VDC	kA	14	18		
DC short circuit rating for 2-pole switch		with circuit breaker at 600 VDC	kA	10	10		
		with class J fuse at 250 VDC	kA	100	100		
		... with fuse size	A	400	500		
Endurances							
Min. electrical endurance, pf. 0.75...0.8			oper. cycles	1 000	1 000	500	500
Mechanical endurance			operations	16 000	10 000	6000	6000
Terminal lug kits				LUG400	LUG800	LUG800	LUG1200
Wire range			AWG	2 - 600MCM	2 x 2 - 600MCM	2 x 2 - 600MCM	4 x 2 - 600MCM
Torque		Wire tightening	lb. in	375	55	500	500
		Lug mounting		240	480	480	450-670
Technical data according to IEC 60947-3							
Rated insulation voltage and rated operational voltage AC20/DC20	Pollution degree 3		V	1000	1000	1000	1000
Dielectric strength		50 Hz 1min.	kV	10	10	10	10
Rated impulse withstand voltage			kV	12	12	12	12
Rated operational current, AC-22A		up to 415 V	A	400	800	1600	1600
		440...500 V	A	400	800	1600	1600
		690 V	A	400	800	1600	1600
Rated operational current, AC-23A		up to 415 V	A	400	800	1250	1250
		440 V	A	400	800	1250	1250
		500 V	A	400	800	1250	1250
		690 V	A	400	800	1250	1250
Rated conditional short-circuit current I_p (r.m.s.) and corresponding max. allowed cut-off current I_c . The cut-off current I_c refers to values listed by fuse manufacturers	I_p (r.m.s.)	50 kA	kA				
	Max. OFA_fuse size gG/aM	415 V	A				
	I_p (r.m.s.)	50 kA	kA				
	Max. OFA_fuse size gG/aM	690 V	A				
(single phase test acc. to IEC60269)	I_p (r.m.s.)	50 kA	kA	50.5	71.5		
	Max. OFA_fuse size gG/aM	690 V	A	500/500	800/1 000		
	at prospective SC-current	80 kA	kA	59	83.5		
	Max. OFA_fuse size gG/aM	690 V	A	500/500	800/1 000		
Rated short-time withstand current	r.m.s. -value I_{sw}	690 V, 1 s	kA	15	20	50	50
Rated short circuit making capacity	Peak value I_{sm}	690 V/500 V	A	65	80	110	110
Power loss / pole		At rated operational current	W	10	40	29	48
Mechanical endurance		Divide by two for operation cycles	Oper.	26 000	10 000		
Weight without accessories		3-pole	kg	2.2	5.2	15.2	15.2
		4-pole	kg	2.8	6.4		

1) UL Listed switches are also CSA Approved.

2) Fuse size 70A for RK5.

UL 98 Non-Fusible Disconnect Switches

UL 98 Non-Fused switches, front-operated

Part #	Description	Ref #
M30U3	UL98 Switch 30A 3p	Z1043348
M30U3F	30A UL98 NF for Rod-Flange-mount	Z1045510
M60U3	UL98 Switch 60A 3p	A1043349
M60U3F	60A UL98 NF for Rod-Flange-mount	A1045511
M100U3	IEC UL98 Switch 100A 3p	F1043193
M100U3F	100A UL98 NF for Rod-Flange-mount	B1045512
M200U30	UL98 Switch 200A 3p	Q1043179
M400U30	UL98 Switch 400A 3p	R1043180
M600U30	UL98 Switch 600A 3p	S1043181
M800U30	UL98 Switch 800A 3p	W1043184
M1200U30	UL98 Switch 1200A 3p	Z1043187

Other Accessories

Part #	Description	Ref #
LUG200	Lugs #6 300MCM 200A Switch /6	B1043396
LUG400	Lugs #2 600MCM 400A Switch /6	C1043397
LUG800	Lugs 2x#2 600MCM 800A Switch/6	T1043366
LUG1200	Lugs 4x750MCM 1200A Switch/6	V1043367
OA1G01	Auxiliary Contact NO Right	N1043476
OA1G10	Auxiliary Contact NC left	P1043477
OA2G11	Aux. Contact NO+NC Switch 125A	Q1043478
OA3G01	Aux.Contact NC Switch160-2500A	R1043479
OEA28	Module for SF aux. contacts	M1043475
4P125	Fourth pole for M125 NF switches	W1043483
4P250	Neutral pole for M250 NF switches	A1043487
4P400	Neutral pole for M400 NF switches	B1043488
4P800	Neutral pole for M800 NF switches	C1043489
4P1250	Neutral pole for M1250 NF switches	D1043490
FHC4X	Flange handle cable 200A 4X	T1043412
FHC12	Flange hdle cable 200A NEMA 12	V1043413
FHR12	Flange handle rod 200A NEMA 12	Y1043416
FHR4X	Flange handle rod 200A NEMA 4X	Z1043417
CABLE36	Flex cable flange oper 36 inch	W1043414
CABLE48	Flex cable flange oper 48 inch	P1045501
CABLE60	Flex cable flange oper 60 inch	X1043415
CABLE72	Flex cable flange oper 72 inch	Q1045502
CABLE84	Flex cable flange oper 84 inch	R1045503
CABLE96	Flex cable flange oper 96 inch	S1045504
CABLE108	Flex cable flange oper 108 inch	T1045505
FOM1	Bracket for M30U -100U cable	N1045500
RODNF16	Rod for NF sw 16 inch	A1049283
RODNF24	Rod for NF sw 24 inch	B1049284
FOM4	Flange operation MxxxJ30	S1043411

Shafts

Part #	Description	Ref #
SFB280	Shaft SwitchFuse 12x12x280mm	F1043423
SFB325	Shaft SwitchFuse 12x12x325mm	G1043424
SFB395	Shaft SwitchFuse 12x12x395mm	H1043425
SA85	Shaft selector handle 6x6x85mm	J1043426
SA105	Shaft select. handle 6x6x105mm	K1043427
SA120	Shaft select. handle 6x6x120mm	L1043428
SA130	Shaft select. handle 6x6x130mm	M1043429
SA180	Shaft select. handle 6x6x180mm	N1043430
SA250	Shaft pistol handle 6x6x250mm	R1043433
SFB185	Shaft SwitchFuse 12x12x185mm	F1048897
SFB535	Shaft, 12x12x535mm	Z1049673A
SPA130	Shaft pistol handle 6x6x130mm	V1043919
SPA210	Shaft pistol handle 6x6x210mm	P1043431
SPA290	Shaft pistol handle 6x6x290mm	Q1043432
SPA360	Shaft pistol handle 6x6x360mm	W1043920
SPA430	Shaft pistol handle 6x6x430mm	X1043921

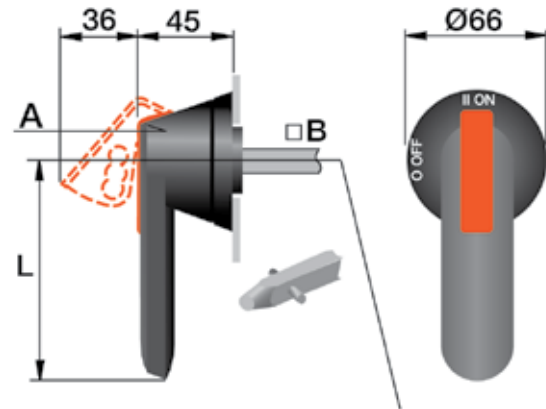
Terminal Shrouds

Part #	Description	Ref #
TS400-3	Term.shrd 400A switch 3p	X1043438
TS600-3	Term.shrd 600A switch 3p	Y1043439
TS800-3	Term.shrd 800A switch 3p	Z1043440
TS1200-3	Term.shrd 1200A switch 3p	A1043441
TS125-1	Term.shrd 125A switch 1p S	F1043446
TS125-3	Term.shrd 25A switch 3p L	G1043447
TS250-13	Term.shrd 250A switch 1p L /3	P1043454
TS250-14	Term.shrd 250A switch 1p L /4	A1043464
TS400-13	Term.shrd 400A switch 1p L /3	Q1043455
TS400-14	Term.shrd 400A switch 1p L /4	B1043465
TS800-13	Term.shrd 800A switch 1p L /3	R1043456
TS800-14	Term.shrd 800A switch 1p L /4	C1043466
TS1600-13	Term.shrd 1600A switch 1p L /3	S1043457
TS1600-14	Term.shrd 1600A switch1p L /4	D1043467
TS2500-13	Term.shrd 2500A switch1p L /3	T1043458
TS2500-14	Term.shrd 2500A switch1p L /4	E1043468

UL 98 Non-Fusible Disconnect Switches

Handles

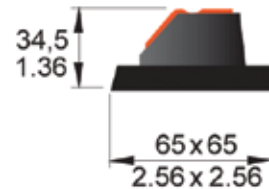
Part #	Description	Ref #
HD125	Handle direct Switch 125A	K1043404
HD250	Handle direct Switch 250A	W1043391
HD400	Handle direct Switch 400A	X1043392
HD800	Handle direct Switch 800A	Y1043393
HD1000	Handle direct Switch 1000A	J1043403
HSBX	Handle selector black	M1043406
HSRX	Handle selector red	N1043407
HB45	Handle black 45mm IP65 NEMA 3R	L1043911
HB45X	Handle black 45mm IP65 NEMA 4X	M1043912
HB65	Handle black 65mm IP65 NEMA 3R	W1043368
HB65X	Handle black 65mm IP65 NEMA 4X	X1043369
HB80	Handle black 80mm IP65 NEMA 3R	Y1043370
HB80X	Handle black 80mm IP65 NEMA 4X	Z1043371
HB95	Handle black 95mm IP65 NEMA 3R	N1043913
HB95X	Handle black 95mm IP65 NEMA 4X	P1043914
HB125	Handle black 125mm IP65 NEMA 3R	A1043372
HB125X	Handle black 125mm IP65 NEMA 4X	B1043373
HB145	Handle black 145mm IP65 NEMA 3R	C1043374
HB145X	Handle black 145mm IP65 NEMA 4X	D1043375
HB274	Handle black 274mm IP65 NEMA 3R	D1043398
HB274X	Handle black 274mm IP65 NEMA 4X	E1043376
HB330	Handle black 330mm IP65 NEMA 3R	E1043399
HB330X	Handle black 330mm IP65 NEMA 4X	F1043377
HR45	Handle red 45mm IP65 NEMA 3R	Q1043915
H45X	Handle red 45mm IP65 NEMA 4X	R1043916
HM65X	SS handle, 4X, 65mm	V1045506
HM125X	SS handle, 4X, 125mm	W1045507
HM175X	SS handle, 4X, 175mm	X1045508
HR65	Handle red 65mm IP65 NEMA 3R	G1043378
HR65X	Handle red 65mm IP65 NEMA 4X	H1043379
HR80	Handle red 80mm IP65 NEMA 3R	F1043400
HR80X	Handle red 80mm IP65 NEMA 4X	J1043380
HR95	Handle red 95mm IP65 NEMA 3R	S1043917
HR95X	Handle red 95mm IP65 NEMA 4X	T1043918
HR125	Handle red 125mm IP65 NEMA 3R	K1043381
HR125X	Handle red 125mm IP65 NEMA 4X	L1043382
HR145	Handle red 145mm IP65 NEMA 3R	M1043383
HR145X	Handle red 145mm IP65 NEMA 4X	N1043384
HR274	Handle red 274mm IP65 NEMA 3R	G1043401
HR330	Handle red 330mm IP65 NEMA 3R	H1043402
HSBWDM	Handle DM black screw door	Y1044359
HSRWDM	Handle DM red screw door	D1047791



A	L	■ Dia
HB 45	45	6
HB 65	65	6
HB 80	80	6
HB 95	95	12
HB 125	125	12
HB 145	145	12
HB 175	175	12
HB 274	275	12

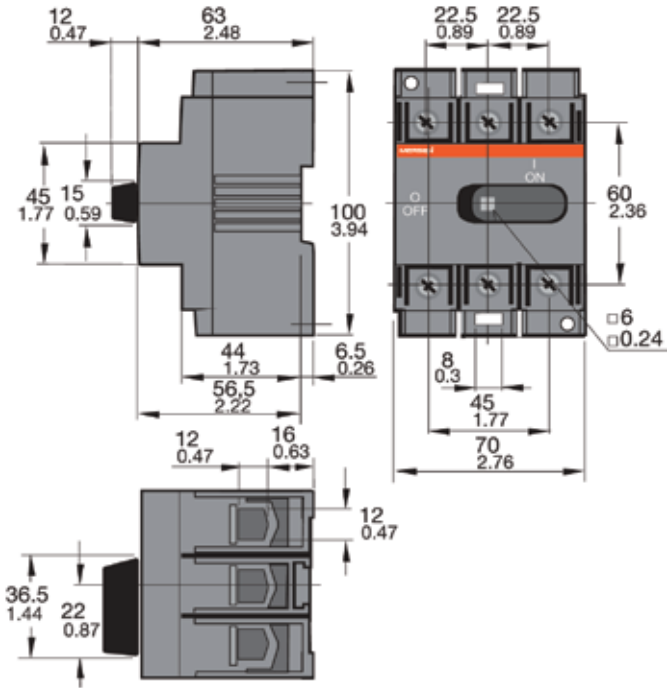
All are NEMA type 1, 3R, 12 except "X"
suffix = NEMA type 4, 4X
B = Black R = Red

HSBWDM
HSRWDM



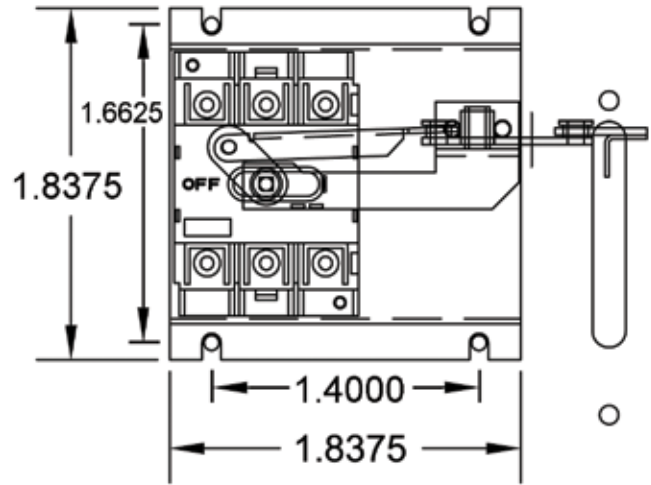
UL 98 Non-Fusible Disconnect Switches

M30U3, M60U3, and M100U3 (mm/inches)



M30 - 100U3F

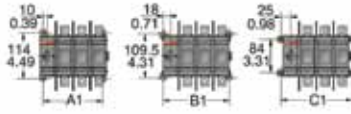
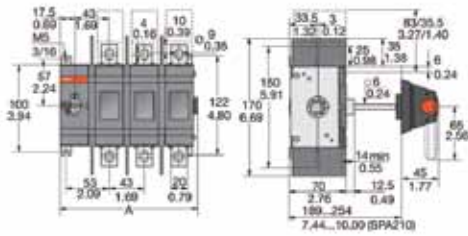
for Flange-mounted actuation (inches)



UL 98 Non-Fusible Disconnect Switches

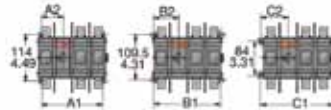
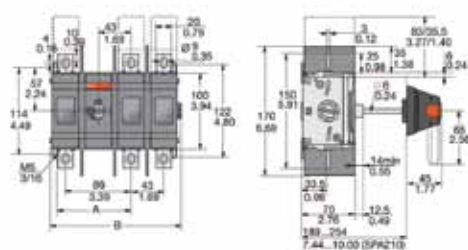
M200Ux, Front operated

For Class J fuse types, 0-3 and 3-0 configurations



M200U				
mm	U01	U02	U03	U04
in	mm / in	mm / in	mm / in	mm / in
A	83.5 / 3.24	126.5 / 4.98	169.6 / 6.67	212.5 / 8.37
A1	63 / 2.48	106 / 4.17	149 / 5.87	190 / 7.56
B1	79 / 3.11	122 / 4.80	165 / 6.50	208 / 8.10
C1	93 / 3.66	136 / 5.35	179 / 7.05	222 / 8.74

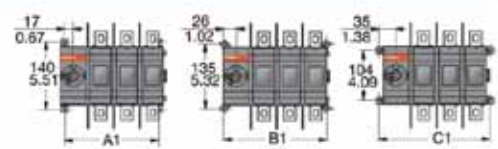
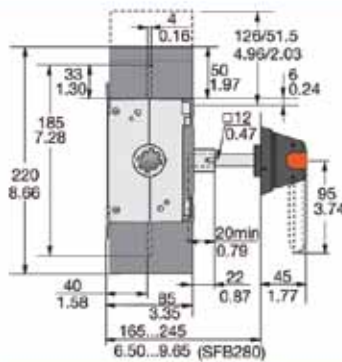
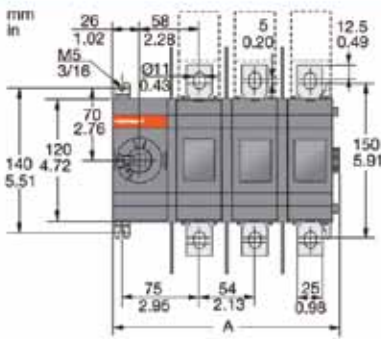
For Class J types, 1-1 to 2-2 configurations



M200U				
mm	mm / in	mm / in	mm / in	mm / in
A	96 / 3.78	96 / 3.78	96 / 3.78	139 / 5.47
B	131.5 / 5.18	174.5 / 6.87	217.5 / 8.56	217.5 / 8.56
A1	106 / 4.17	149 / 5.87	192 / 7.56	192 / 7.56
A2	53 / 2.09	53 / 2.09	53 / 2.09	96 / 3.78
B1	122 / 4.80	165 / 6.50	208 / 8.19	208 / 8.19
B2	61 / 2.40	61 / 2.40	61 / 2.40	104 / 4.09
C1	136 / 5.35	179 / 7.05	222 / 8.74	222 / 8.74
C2	68 / 2.69	68 / 2.69	68 / 2.69	111 / 4.37

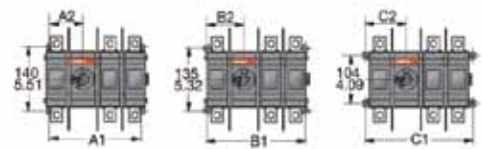
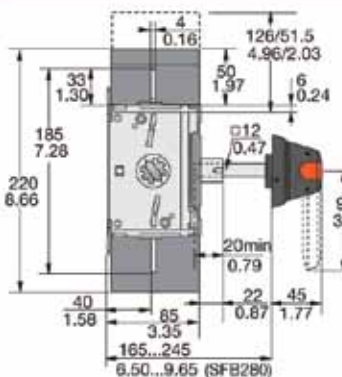
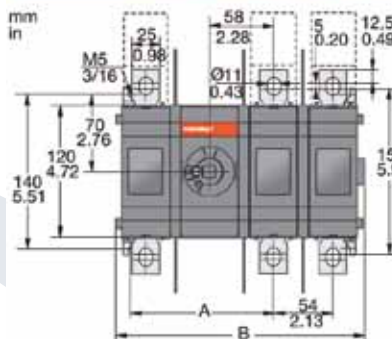
M400U, Front operated

M400U, 03 or 30 configuration



M400U				
mm	U01/U10	U02/U20	U03/U30	U04/U40
in	mm / in	mm / in	mm / in	mm / in
A	113 / 4.45	167 / 6.58	221 / 8.70	275 / 10.83
A1	88 / 3.47	142 / 5.59	196 / 7.72	250 / 9.84
B1	106 / 4.17	160 / 6.30	214 / 8.43	268 / 10.55
C1	124 / 4.88	178 / 7.01	232 / 9.13	286 / 11.27

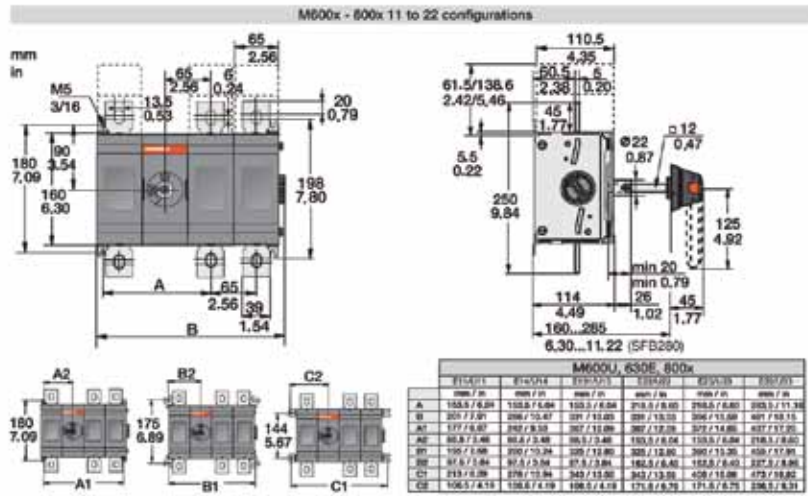
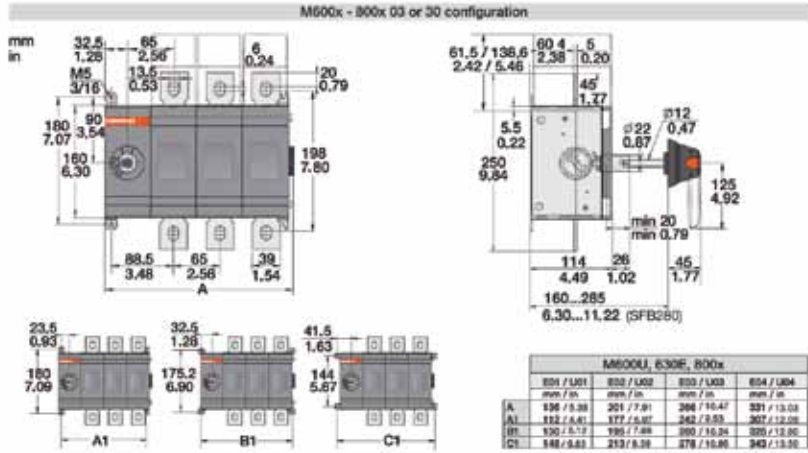
M400U, 11 to 22 configuration



M400U				
mm	U11	U12	U13	U22
in	mm / in	mm / in	mm / in	mm / in
A	129 / 5.08	129 / 5.08	129 / 5.08	183 / 7.21
B	172 / 6.77	226 / 8.90	280 / 11.02	280 / 11.02
A1	142 / 5.59	196 / 7.72	250 / 9.84	250 / 9.84
A2	71 / 2.80	71 / 2.80	71 / 2.80	125 / 4.92
B1	160 / 6.30	214 / 8.43	268 / 10.55	268 / 10.55
B2	80 / 3.15	80 / 3.15	80 / 3.15	134 / 5.28
C1	178 / 7.01	232 / 9.13	286 / 11.26	286 / 11.27
C2	89 / 3.50	89 / 3.50	89 / 3.50	143 / 5.63

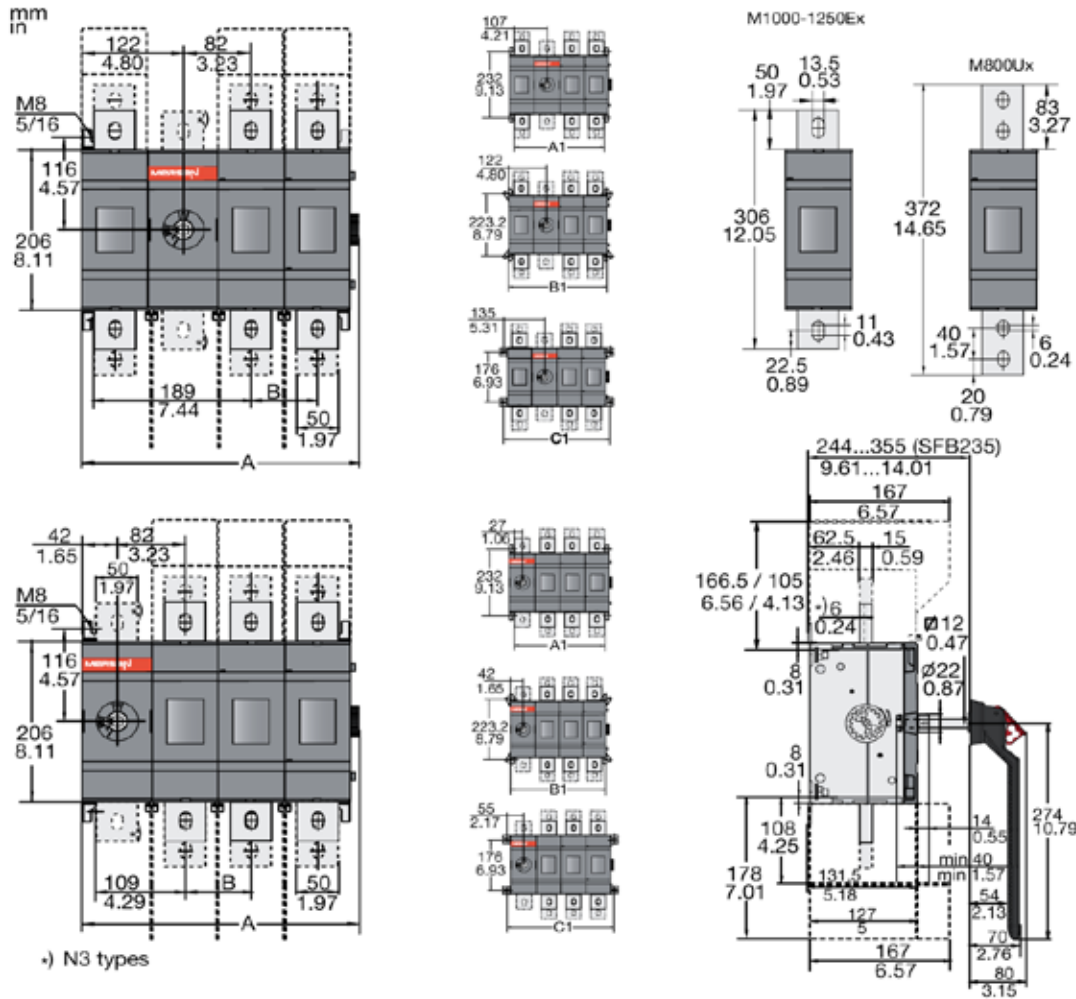
UL 98 Non-Fusible Disconnect Switches

M600-800x, Front operated



UL 98 Non-Fusible Disconnect Switches

M800U, M1000U, M1200U, front operated



		M1000/1250/1600Ex M800U/1200U							
		01	02	03	04	11	12	13	22
A	mm	174.50	254.50	334.50	414.50	254.50	334.50	414.50	414.50
	in	6.87	10.02	13.17	16.32	10.02	13.17	16.32	16.32
B	mm		80	80	80		80	80	80
	in		3.15	3.15	3.15		3.15	3.15	3.15
A1	mm	134	214	294	374	214	294	374	374
	in	5.28	8.43	11.57	14.72	8.43	11.57	14.72	14.72
B1	mm	164	244	324	404	244	324	404	404
	in	6.46	9.61	12.76	15.91	9.61	12.76	15.91	15.91
C1	mm	190	270	350	430	270	350	430	430
	in	7.48	10.63	13.78	16.93	10.63	13.78	16.93	16.93

Available from

BREWS
BREWSUPPLY.COM