

Rittal – The System.



Faster – better – worldwide.

▶ TS8 Specification Guide



Available from



ENCLOSURES

POWER DISTRIBUTION

CLIMATE CONTROL

IT INFRASTRUCTURE

SOFTWARE & SERVICES



FRIEDHELM LOH GROUP



NO MATTER WHICH PRODUCT IS NEEDED, HERE'S WHY CUSTOMERS CHOOSE RITTAL:

- *Rittal stocks thousands of enclosures in three US warehouses for next day shipment*
- *Rittal manufactures thousands of enclosures each week, right here in the U.S.*
- *Rittal protects your equipment not just with enclosures, but with complete enclosure systems*
- *Rittal is available nationwide through your favorite local distributor*
- *Rittal is global, with standard product configurations available worldwide*

RITTAL TS8 FREESTANDING ENCLOSURES

- The modular design allows for efficient system updates, flexible buying options and virtually endless configurations, all based on a robust 16-fold tubular frame system
- The frame can hold weight loads up to 1,500 lb. on the mounting panel and features multi-level mounting capability for unsurpassed flexibility
- The 25 mm hole pattern allows components and accessories to be mounted in three directions – by height, width and depth – which provides maximum space utilization (up to 30% more available space than traditional NEMA style enclosures of equal dimension)
- The door is strengthened with an attached frame which includes holes on a 25 mm pitch pattern for the attachment of ducts, cable harnesses, wiring plan pockets and much more
- The gasketed roof is secured with removable eyebolts that screw directly to the enclosure frame to seal out dirt and moisture



RittalXpress – Stock – Mod – Ship

One Program — Three Advantages

The industry's best, most sought-after enclosures and accessories are now available as part of the industry's best support program. RittalXpress features an extensive stocking program, a custom modification program and fast and efficient shipping.

What RittalXpress can mean to you...

- Quick turn-around — delivered to your site
- Thousands of part numbers in stock and ready to ship
- Quick, accurate quotes
- Pricing that won't break the bank

For specific details on putting each phase of RittalXpress to work for you, go to www.rittal.us/rittalxpress



TS8 Freestanding Enclosure

UL Type 12, IP 55, Single and Double Door—See Pages 6 & 7

Configuration:

Enclosure frame with door(s), mounting panel, gland plates, rear wall and roof plate

Finish:

Enclosure frame: Dipcoat-primed

Door, roof and rear wall:

Dipcoat-primed, powder-coated in textured RAL 7035 (light gray) on the outside

Mounting panel and gland plates:

Zinc-plated

Material:

Sheet steel

Enclosure frame, roof, rear wall

and gland plates: 16 ga (1.5 mm)

Door(s): 14 ga (2.0 mm)

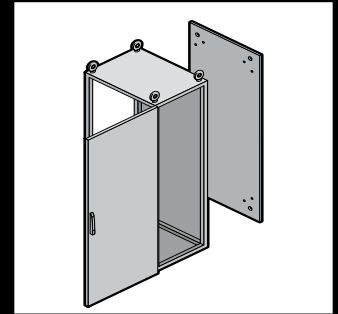
Mounting panel: 11 ga (3.0 mm)

Protection Rating:

cULus Type 12

(IP 55 to EN 60 529)

UL file: E76083



Marshalling—See Page 7

Configuration:

Enclosure frame with door (without tubular door frame), rear wall and roof plate

Finish:

Enclosure frame: Dipcoat-primed

Door, roof and rear wall:

Dipcoat-primed, powder-coated in textured RAL 7035 (light gray) on the outside

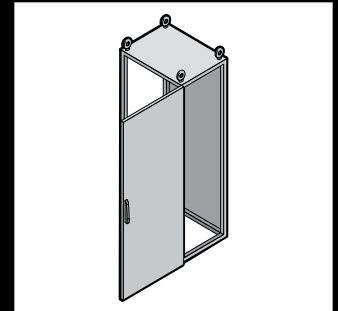
Material:

Sheet steel

Enclosure frame, roof and rear wall:

16 ga (1.5 mm)

Door: 14 ga (2.0 mm)



Electronic Enclosures, Single Door—See Page 8

Configuration:

Enclosure frame, front frame (right hinged, opening angle 130°, held with mechanical snap fasteners on left), rear door (right hinged, may be changed to the opposite side), roof, 19" rail sections, gland plates

Finish:

Enclosure frame: Dipcoat-primed

Front frame, rear door, roof: Powder-coated RAL 7035 (light gray)

19" rail sections: Conductive, corrosion-resistant coating

Gland plates: Zinc-plated

Material:

Sheet steel

Enclosure frame: 16 ga (1.5 mm)

Rear door: 14 ga (2.0 mm)

Roof and gland plates: 16 ga (1.5 mm)

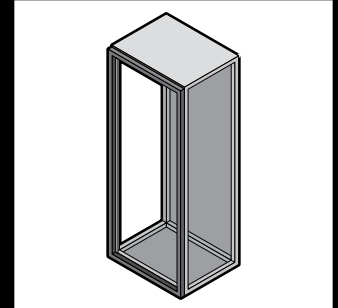
19" rail sections: Aluminum

Front frame: Extruded aluminum sections with die-cast corner pieces

Protection Rating:

cULus Type 1 (with rack mounted equipment or solid door)

UL file: E76083



Modular Front Design—See Page 8

Configuration:

Enclosure frame, roof, rear panel, gland plates

Finish:

Enclosure frame:

Dipcoat-primed

Door and rear panel:

Dipcoat-primed, powder-coated in textured RAL 7035 on the outside

Gland plates: Zinc-plated

Material:

Sheet steel

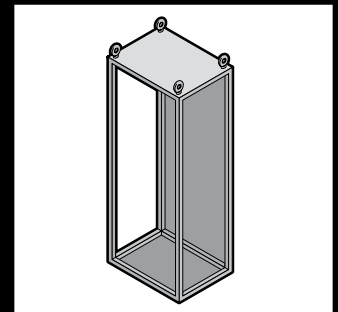
Enclosure frame, roof, rear panel,

and gland plates: 16 ga (1.5 mm)

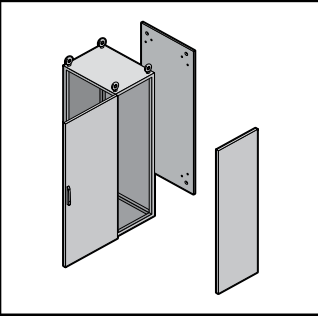
Protection Rating:

NEMA 12

(with partial doors installed)



TS8 Freestanding Enclosure



UL Type 4, IP66, Single Door—See Page 8

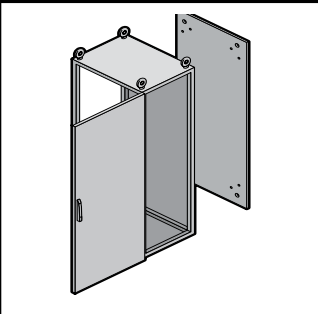
Configuration:
Enclosure frame with door, roof/
base plate, rear wall, sidewalls,
mounting panel

powder-coated, textured RAL
7035 (light gray)
Mounting panel: Zinc-plated

Protection Rating:
cULus Type 4
(IP 66 to EN 60 529)
UL file: E76083

Finish:
Enclosure frame: Dipcoat-
primed and powder coated RAL
7035 (light gray)
Door, roof, base, rear wall,
sidewalls: Dipcoat-primed and

Material:
Sheet steel
Enclosure frame, roof, base, rear
wall, sidewalls: 16 ga (1.5 mm)
Door: 14 ga (2.0 mm)
Mounting panel: 11 ga (3.0 mm)



UL Type 3R, Single Door—See Page 8

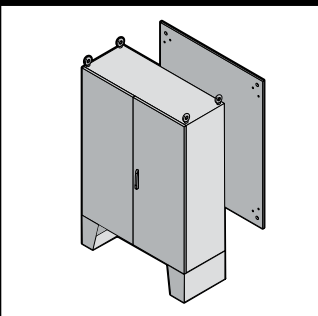
Configuration:
Enclosure frame with door, rear
wall and roof plate

7035 (light gray)
Mounting panel and gland
plates: Zinc-plated

Protection Rating:
cULus Type 3R, 12 - solid door
cULus Type 3R - vented door
UL file: E170282

Finish:
Enclosure frame: Dipcoat-
primed and powder coated RAL
7035 (light gray)
Door, trim panel, roof and rear wall:
Dipcoat-primed powder-coated
on the outside in textured RAL

Material:
Sheet steel
Enclosure frame and doors:
14 ga (2 mm)
Rear walls: 16 ga (1.5 mm)
Mounting Panel: 11 ga (3 mm)
zinc-plated



UL Type 12, Floormount, Double Door—See Page 9

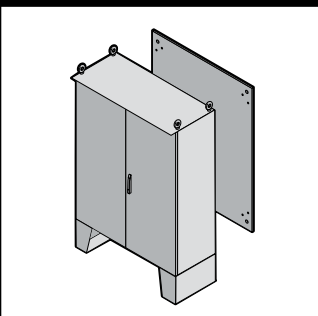
Configuration:
Enclosure frame with doors, 12
inch bolt-on leg kit, mounting
panel, roof plate, rear wall,
sidewalls, solid floor panel,
padlocking comfort handle with
keylocking push button insert

Finish:
Enclosure frame: Dipcoat-primed
Door, roof and rear wall:
Powder-coated in RAL 7035
(light gray) on the outside
Mounting panel: Zinc-plated

Roof, rear wall, solid floor panel,
door: 14 ga (2.0 mm)
Legs, mounting panel: 11 ga
(3.0 mm)

Protection Rating:
cULus Type 12
UL file: E76083

Material:
Sheet steel
Enclosure frame: 16 ga (1.5 mm)



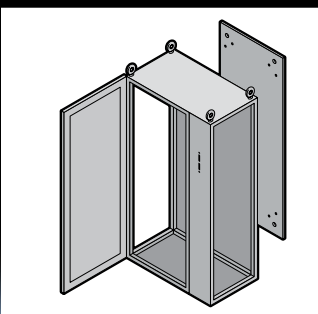
UL Type 3R, Floormount, Double Door—See Page 9

Configuration:
Enclosure frame with doors, 12
inch bolt-on leg kit, mounting
panel, overlapping roof plate,
rear wall, sidewalls, solid floor
panel, padlocking comfort
handle with keylocking push
button insert

Finish:
Enclosure frame:
Dipcoat-primed and
powder coated
Door, roof and rear wall:
Powder-coated in RAL 7035
(light gray) on the outside
Mounting panel: Zinc-plated

Material:
Sheet steel
Enclosure frame: 16 ga (1.5 mm)
Roof, rear wall, solid floor panel,
door: 14 ga (2.0 mm)
Legs, mounting panel: 11 ga
(3.0 mm)

Protection Rating:
cULus Type 12
UL file: E170282



UL Type 12, IP 55, Single & Double Door Disconnect—See Page 9 & 10

Configuration:
Enclosure frame, door (left
hinged), trim panel (right hinged),
with a swing lever at the top and
bottom, with cutout for
disconnect handle), roof, rear
wall, mounting panel, three-piece
gland plates. Includes handle
interlocking kit 8611.310.

Finish:
Enclosure frame: Dipcoat-primed
Door, trim panel, roof, and rear
wall: Dipcoat-primed, powder
coated on the outside in
textured RAL 7035 (light gray)
Mounting panel and gland
plates: Zinc-plated

Door and trim panel:
14 ga (2.0 mm)
Mounting panel: 11 ga (3.0 mm)

Protection Rating:
cULus Type 12
(IP 55 to EN 60 529/10.91)
(With disconnect handle
installed)
UL file: E76083

Material:
Sheet steel
Enclosure frame, roof, rear wall,
and gland plates: 16 ga (1.5 mm)

TS8 Freestanding Enclosure

UL Type 12 Floormount Disconnect, Double Door—See Page 10

Configuration:

Enclosure frame, removable center mullion, two doors (both left hinged), trim panel (right hinged with swing lever at the top and bottom, with cut-out for disconnect handle), 12 inch bolt-on leg kit, mounting panel, roof, rear wall, sidewalls, solid floor panel, comfort handle with pad lock hasp and screwdriver insert. Includes handle interlocking kit (8611.310) for the main door as

well as the adjacent door locking kit (4911.000) and interlocking rods for the adjacent door.

Finish:

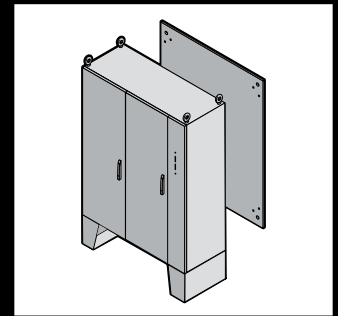
Enclosure frame: Dipcoat-primed
Door, roof, rear wall and floor panel: Dipcoat-primed and powder coated in RAL 7035 (light gray) on the outside
Mounting panel: Zinc-plated

Material:

Sheet steel
Enclosure frame: 16 ga (1.5 mm)
Roof, door, rear wall, solid floor panel: 14 ga (2.0 mm)
Legs, mounting panel: 11 ga (3.0 mm)

Protection Rating:

cULus Type 12
UL file: E76083



Stainless Steel UL Type 12, IP 55 Single & Double Door—Type 304/316L—See Page 10

Configuration:

Enclosure frame with door(s), mounting panel, gland plates, rear panel and roof, 2 support strips mounted in the enclosure depth (only with a depth of 24" [600 mm]).

Material:

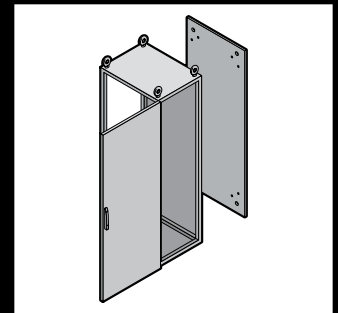
Type 304/316L stainless steel
Enclosure frame, roof, rear panel and gland plates: 16 ga (1.5 mm)
Door(s): 14 ga (2.0 mm)
Mounting panel: Sheet steel, 11 ga (3.0 mm)

Finish:

Enclosure frame and gland plates: Uncoated
Door, roof and rear panel: Brushed on the outside, grain size 400
Mounting panel: Zinc-plated

Protection Rating:

cULus Type 12
(IP 55 to EN 60 529)
UL file: E76083



Stainless Steel UL Type 4X, IP 66 Single Door—Type 304—See Page 11

Configuration:

Enclosure frame with door, roof/base plate, rear wall, mounting panel.

Material:

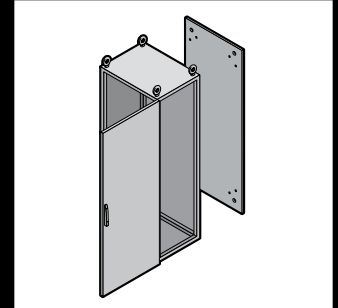
Type 304 stainless steel
Enclosure frame, roof, base, rear wall: 16 ga (1.5 mm)
Door: 14 ga (2.0 mm)
Mounting panel: 11 ga (3.0 mm)

Finish:

Enclosure frame: Type 304 stainless steel, door, roof, base, rear wall: Brushed
Mounting panel: Zinc-plated

Protection Rating:

cULus Type 4X
(IP 66 to EN 60 529)
UL file: E76083



Stainless Steel UL Type 4X, IP 66 Floormount Double Door —Type 304—See Page 11

Configuration:

Enclosure frames with mounting panel slide rails for side access, full size mounting panel, doors, roofs with eyebolts, solid floor panels, rear walls, sidewalls, 12 inch bolt-on leg kit.

Material:

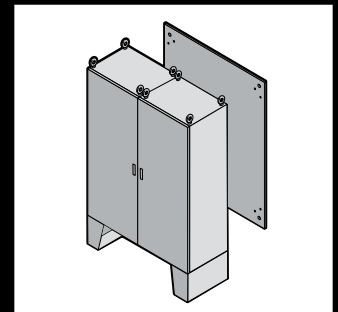
Type 304 stainless steel
Enclosure frames, roofs, solid floor panel, rear walls, sidewalls: 16 ga (1.5 mm)
Doors: 14 ga (2.0 mm)
Mounting panel, legs: 11 ga (3.0 mm)

Finish:

Enclosure frames: Type 304 stainless steel
Doors, roofs, solid floor panels, rear walls, sidewalls and legs: Brushed, grain size 400
Mounting panel: Zinc-plated

Protection Rating:

cULus Type 4X
(IP 66 to EN 60 529)
UL file: E76083



TS8 Freestanding Enclosure

UL Type 12, IP 55, Single Door

Part Number	HxWxD inches	HxWxD mm	Sidewalls (Pair)	Mounting Panel HxW inches	Mounting Panel HxW mm	4" (100 mm) High Plinth, Front & Rear	4" (100 mm) High Plinth, Sides	8" (200 mm) High Plinth, Front & Rear	8" (200 mm) High Plinth, Sides
8615.500	47x24x20	1200x600x500	8115.235	43x20	1096x499	8601.600	8601.050	8602.600	8602.050
8815.500	47x32x20	1200x800x500	8115.235	43x28	1096x699	8601.800	8601.050	8602.800	8602.050
8645.500	55x24x20	1400x600x500	8145.235	51x20	1296x499	8601.600	8601.050	8602.600	8602.050
8845.500	55x32x20	1400x800x500	8145.235	51x28	1296x699	8601.800	8601.050	8602.800	8602.050
8646.500	55x24x24	1400x600x600	8146.235	51x20	1296x499	8601.600	8601.060	8602.600	8602.060
8846.500	55x32x24	1400x800x600	8146.235	51x28	1296x699	8601.800	8601.060	8602.800	8602.060
8648.500	55x24x32	1400x600x800	8148.235	51x20	1296x499	8601.600	8601.080	8602.600	8602.080
8848.500	55x32x32	1400x800x800	8148.235	51x28	1296x699	8601.800	8601.080	8602.800	8602.080
8665.500	63x24x20	1600x600x500	8165.235	59x20	1496x499	8601.600	8601.050	8602.600	8602.050
8865.500	63x32x20	1600x800x500	8165.235	59x28	1496x699	8601.800	8601.050	8602.800	8602.050
8666.500	63x24x24	1600x600x600	8166.235	59x20	1496x499	8601.600	8601.060	8602.600	8602.060
8866.500	63x32x24	1600x800x600	8166.235	59x28	1496x699	8601.800	8601.060	8602.800	8602.060
8668.500	63x24x32	1600x600x800	8168.235	59x20	1496x499	8601.600	8601.080	8602.600	8602.080
8868.500	63x32x32	1600x800x800	8168.235	59x28	1496x699	8601.800	8601.080	8602.800	8602.080
8684.500	71x24x16	1800x600x400	8184.235	67x20	1696x499	8601.600	8601.040	8602.600	8602.040
8884.500	71x32x16	1800x800x400	8184.235	67x28	1696x699	8601.800	8601.040	8602.800	8602.040
8084.500	71x39x16	1800x1000x400	8184.235	67x35	1696x899	8601.000	8601.040	8602.000	8602.040
8685.500	71x24x20	1800x600x500	8185.235	67x20	1696x499	8601.600	8601.050	8602.600	8602.050
8885.500	71x32x20	1800x800x500	8185.235	67x28	1696x699	8601.800	8601.050	8602.800	8602.050
8085.500	71x39x20	1800x1000x500	8185.235	67x35	1696x899	8601.000	8601.050	8602.000	8602.050
8686.500	71x24x24	1800x600x600	8186.235	67x20	1696x499	8601.600	8601.060	8602.600	8602.060
8886.500	71x32x24	1800x800x600	8186.235	67x28	1696x699	8601.800	8601.060	8602.800	8602.060
8086.500	71x40x24	1800x1000x600	8186.235	67x35	1696x899	8601.000	8601.060	8602.000	8602.060
8688.500	71x24x32	1800x600x800	8188.235	67x20	1696x499	8601.600	8601.080	8602.600	8602.080
8888.500	71x32x32	1800x800x800	8188.235	67x28	1696x699	8601.800	8601.080	8602.800	8602.080
8088.500	71x39x32	1800x1000x800	8188.235	67x35	1696x899	8601.000	8601.080	8602.000	8602.080
8604.500	79x24x16	2000x600x400	8104.235	75x20	1896x499	8601.600	8601.040	8602.600	8602.040
8804.500	79x32x16	2000x800x400	8104.235	75x28	1896x699	8601.800	8601.040	8602.800	8602.040
8405.500	79x16x20	2000x400x500	8105.235	75x12	1896x299	8601.400	8601.050	8602.400	8602.050
8605.500	79x24x20	2000x600x500	8105.235	75x20	1896x499	8601.600	8601.050	8602.600	8602.050
8805.500	79x32x20	2000x800x500	8105.235	75x28	1896x699	8601.800	8601.050	8602.800	8602.050
8406.500	79x16x24	2000x400x600	8106.235	75x12	1896x299	8601.400	8601.060	8602.400	8602.060
8606.500	79x24x24	2000x600x600	8106.235	75x20	1896x499	8601.600	8601.060	8602.600	8602.060
8806.500	79x32x24	2000x800x600	8106.235	75x28	1896x699	8601.800	8601.060	8602.800	8602.060
8006.530	79x39x24	2000x1000x600	8106.235	75x35	1896x899	8601.000	8601.060	8602.000	8602.060
8608.500	79x24x32	2000x600x800	8108.235	75x20	1896x499	8601.600	8601.080	8602.600	8602.080
8808.500	79x32x32	2000x800x800	8108.235	75x28	1896x699	8601.800	8601.080	8602.800	8602.080
8008.530	79x39x32	2000x1000x800	8108.235	75x35	1896x899	8601.000	8601.080	8602.000	8602.080
8625.500	87x24x20	2200x600x500	8125.235	83x20	2096x499	8601.600	8601.050	8602.600	8602.050
8825.500	87x32x20	2200x800x500	8125.235	83x28	2096x699	8601.800	8601.050	8602.800	8602.050
8025.500	87x39x20	2200x1000x500	8125.235	83x35	2096x899	8601.000	8601.050	8602.000	8602.050
8426.500	87x16x24	2200x400x600	8126.235	83x12	2096x299	8601.400	8601.060	8602.400	8602.060
8626.500	87x24x24	2200x600x600	8126.235	83x20	2096x499	8601.600	8601.060	8602.600	8602.060
8826.500	87x32x24	2200x800x600	8126.235	83x28	2096x699	8601.800	8601.060	8602.800	8602.060
8026.500	87x39x24	2200x1000x600	8126.235	83x35	2096x899	8601.000	8601.060	8602.000	8602.060
8628.500	87x24x32	2200x600x800	8128.235	83x20	2096x499	8601.600	8601.080	8602.600	8602.080
8828.500	87x32x32	2200x800x800	8128.235	83x28	2096x699	8601.800	8601.080	8602.800	8602.080
8028.500	87x39x32	2200x1000x800	8128.235	83x35	2096x899	8601.000	8601.080	8602.000	8602.080

TS8 Freestanding Enclosure

UL Type 12, IP 55, Double Door

Part Number	HxWxD inches	HxWxD mm	Sidewalls (Pair)	Mounting Panel HxW inches	Mounting Panel HxW mm	4" (100 mm) High Plinth, Front & Rear	4" (100 mm) High Plinth, Sides	8" (200 mm) High Plinth, Front & Rear	8" (200 mm) High Plinth, Sides
8215.500	47x47x20	1200x1200x500	8115.235	43x43	1096x1099	8601.200	8601.050	8602.200	8602.050
8245.500	55x47x20	1400x1200x500	8145.235	51x43	1296x1099	8601.200	8601.050	8602.200	8602.050
8246.500	55x47x24	1400x1200x600	8146.235	51x43	1296x1099	8601.200	8601.060	8602.200	8602.060
8248.500	55x47x32	1400x1200x800	8148.235	51x43	1296x1099	8601.200	8601.080	8602.200	8602.080
8265.500	63x47x20	1600x1200x500	8165.235	59x43	1496x1099	8601.200	8601.050	8602.200	8602.050
8266.500	63x47x24	1600x1200x600	8166.235	59x43	1496x1099	8601.200	8601.060	8602.200	8602.060
8268.500	63x47x32	1600x1200x800	8168.235	59x43	1496x1099	8601.200	8601.080	8602.200	8602.080
8080.500	71x39x16	1800x1000x400	8184.235	67x35	1696x899	8601.000	8601.040	8602.000	8602.040
8284.500	71x47x16	1800x1200x400	8184.235	67x43	1696x1099	8601.200	8601.040	8602.200	8602.040
8901.210	71x63x16	1800x1600x400	8184.235	67x59	1696x1499	8601.920	8601.040	8602.920	8602.040
8901.250	71x71x16	1800x1800x400	8184.235	67x67	1696x1699	8901.920	8601.040	8901.930	8602.040
8880.500	71x32x20	1800x800x500	8185.235	67x28	1696x699	8601.800	8601.050	8602.800	8602.050
8285.500	71x47x20	1800x1200x500	8185.235	67x43	1696x1099	8601.200	8601.050	8602.200	8602.050
8901.220	71x63x20	1800x1600x500	8185.235	67x59	1696x1499	8601.920	8601.050	8602.920	8602.050
8901.260	71x71x20	1800x1800x500	8185.235	67x67	1696x1699	8901.920	8601.050	8901.930	8602.050
8881.500	71x32x24	1800x800x600	8186.235	67x28	1696x699	8601.800	8601.060	8602.800	8602.060
8286.500	71x47x24	1800x1200x600	8186.235	67x43	1696x1099	8601.200	8601.060	8602.200	8602.060
8901.230	71x63x24	1800x1600x600	8186.235	67x59	1696x1499	8601.920	8601.060	8602.920	8602.060
8901.270	71x71x24	1800x1800x600	8186.235	67x67	1696x1699	8901.920	8601.060	8901.930	8602.060
8288.500	71x47x32	1800x1200x800	8188.235	67x43	1696x1099	8601.200	8601.080	8602.200	8602.080
8901.240	71x63x32	1800x1600x800	8188.235	67x59	1696x1499	8601.920	8601.080	8602.920	8602.080
8901.280	71x71x32	1800x1800x800	8188.235	67x67	1696x1699	8901.920	8601.080	8901.930	8602.080
8004.500	79x39x16	2000x1000x400	8104.235	75x35	1896x899	8601.000	8601.040	8602.000	8602.040
8204.500	79x47x16	2000x1200x400	8104.235	75x43	1896x1099	8601.200	8601.040	8602.200	8602.040
8005.500	79x39x20	2000x1000x500	8105.235	75x35	1896x899	8601.000	8601.050	8602.000	8602.050
8205.500	79x47x20	2000x1200x500	8105.235	75x43	1896x1099	8601.200	8601.050	8602.200	8602.050
8901.290	79x63x20	2000x1600x500	8105.235	75x59	1896x1499	8601.920	8601.050	8602.920	8602.050
8901.420	79x71x20	2000x1800x500	8105.235	75x67	1896x1699	8901.920	8601.050	8901.930	8602.050
8006.500	79x39x24	2000x1000x600	8106.235	75x35	1896x899	8601.000	8601.060	8602.000	8602.060
8206.500	79x47x24	2000x1200x600	8106.235	75x43	1896x1099	8601.200	8601.060	8602.200	8602.060
8901.400	79x63x24	2000x1600x600	8106.235	75x59	1896x1499	8601.920	8601.060	8602.920	8602.060
8901.430	79x71x24	2000x1800x600	8106.235	75x67	1896x1699	8901.920	8601.060	8901.930	8602.060
8008.500	79x39x32	2000x1000x800	8108.235	75x35	1896x899	8601.000	8601.080	8602.000	8602.080
8208.500	79x47x32	2000x1200x800	8108.235	75x43	1896x1099	8601.200	8601.080	8602.200	8602.080
8901.410	79x63x32	2000x1600x800	8108.235	75x59	1896x1499	8601.920	8601.080	8602.920	8602.080
8901.440	79x71x32	2000x1800x800	8108.235	75x67	1896x1699	8901.920	8601.080	8901.930	8602.080
8225.500	87x47x20	2200x1200x500	8125.235	83x43	2096x1099	8601.200	8601.050	8602.200	8602.050
8226.500	87x47x24	2200x1200x600	8126.235	83x43	2096x1099	8601.200	8601.060	8602.200	8602.060
8228.500	87x47x32	2200x1200x800	8128.235	83x43	2096x1099	8901.920	8601.080	8901.930	8602.080

Marshalling Enclosure

Part Number	HxWxD inches	HxWxD mm	Sidewalls (Pair)	Mounting Panel HxW inches	Mounting Panel HxW mm	4" (100 mm) High Plinth, Front & Rear	4" (100 mm) High Plinth, Sides	8" (200 mm) High Plinth, Front & Rear	8" (200 mm) High Plinth, Sides
8485.510	71x16x20	1800x400x500	8185.235	-	-	8601.400	8601.050	8602.400	8602.050
8486.510	71x16x24	1800x400x600	8186.235	-	-	8601.400	8601.060	8602.400	8602.060
8405.510	79x16x20	2000x400x500	8105.235	-	-	8601.400	8601.050	8602.400	8602.050
8406.510	79x16x24	2000x400x600	8106.235	-	-	8601.400	8601.060	8602.400	8602.060

TS8 Freestanding Enclosure

Electronic Enclosures, Single Door

Part Number	U	HxWxD inches	HxWxD mm	Sidewalls (Pair)	4" (100 mm) High Plinth, Front & Rear	4" (100 mm) High Plinth, Sides	8" (200 mm) High Plinth, Front & Rear	8" (200 mm) High Plinth, Sides
8410.510	33	63x24x24	1600x600x600	8166.235	8601.600	8601.060	8602.600	8602.060
8418.510	33	63x24x32	1600x600x800	8168.235	8601.600	8601.080	8602.600	8602.080
8430.510	42	79x24x24	2000x600x600	8106.235	8601.600	8601.060	8602.600	8602.060
8438.510	42	79x24x32	2000x600x800	8108.235	8601.600	8601.080	8602.600	8602.080

Modular Front Design

Part Number	HxWxD inches	HxWxD mm	Sidewalls (Pair)	Mounting Panel HxW inches	Mounting Panel HxW mm	4" (100 mm) High Plinth, Front & Rear	4" (100 mm) High Plinth, Sides	8" (200 mm) High Plinth, Front & Rear	8" (200 mm) High Plinth, Sides
8606.512	79x24x24	2000x600x600	8106.512	-	-	8601.600	8601.060	8602.600	8602.060
8806.512	79x32x24	2000x800x600	8106.512	-	-	8601.800	8601.060	8602.800	8602.060

See page 15 for Modular Front Design accessories

UL Type 4, IP66, Single Door

Part Number	HxWxD inches	HxWxD mm	Sidewalls (Pair)	Mounting Panel HxW inches	Mounting Panel HxW mm	4" (100 mm) High Plinth, Front & Rear	4" (100 mm) High Plinth, Sides	8" (200 mm) High Plinth, Front & Rear	8" (200 mm) High Plinth, Sides
8686.540	71x24x24	1800x600x600	Included	67x20	1696x499	8601.600	8601.060	8602.600	8602.060
8886.540	71x32x24	1800x800x600	Included	67x28	1696x699	8601.800	8601.060	8602.800	8602.060
8606.540	79x24x24	2000x600x600	Included	75x20	1896x499	8601.600	8601.060	8602.600	8602.060
8806.540	79x32x24	2000x800x600	Included	75x28	1896x699	8601.800	8601.060	8602.800	8602.060

UL Type 3R, Single Door

Part Number	HxWxD inches	HxWxD mm	Sidewalls (Pair)	Mounting Panel HxW inches	Mounting Panel HxW mm	4" (100 mm) High Plinth, Front & Rear	4" (100 mm) High Plinth, Sides	8" (200 mm) High Plinth, Front & Rear	8" (200 mm) High Plinth, Sides
8606.547	79x24x24	2000x600x600	8106.235	75x20	1896x499	8601.600	8601.060	8602.600	8602.060
8608.547	79x24x32	2000x600x800	8108.235	75x20	1896x499	8601.600	8601.080	8602.600	8602.080
8806.547	79x32x24	2000x800x600	8106.235	75x28	1896x699	8601.800	8601.060	8602.800	8602.060
8808.547	79x32x32	2000x800x800	8108.235	75x28	1896x699	8601.800	8601.080	8602.800	8602.080
8006.547	79x39x24	2000x1000x600	8106.235	75x35	1896x899	8601.000	8601.060	8602.000	8602.060
8008.547	79x39x32	2000x1000x800	8108.235	75x35	1896x899	8601.000	8601.080	8602.000	8602.080
8606.548	79x24x24	2000x600x600	8106.235	75x20	1896x499	8601.600	8601.060	8602.600	8602.060
8608.548	79x24x32	2000x600x800	8108.235	75x20	1896x499	8601.600	8601.080	8602.600	8602.080
8806.548	79x32x24	2000x800x600	8106.235	75x28	1896x699	8601.800	8601.060	8602.800	8602.060
8808.548	79x32x32	2000x800x800	8108.235	75x28	1896x699	8601.800	8601.080	8602.800	8602.080
8006.548	79x39x24	2000x1000x600	8106.235	75x20	1896x499	8601.000	8601.060	8602.000	8602.060
8008.548	79x39x32	2000x1000x800	8108.235	75x35	1896x899	8601.000	8601.080	8602.000	8602.080
8626.547	87x24x24	2200x600x600	8126.235	83x20	2096x499	8601.600	8601.060	8602.600	8602.060
8628.547	87x24x32	2200x600x800	8128.235	83x20	2096x499	8601.600	8601.080	8602.600	8602.080
8826.547	87x32x24	2200x800x600	8126.235	83x28	2096x699	8601.800	8601.060	8602.800	8602.060
8828.547	87x32x32	2200x800x800	8128.235	83x28	2096x699	8601.800	8601.080	8602.800	8602.080
8026.547	87x39x24	2200x1000x600	8126.235	83x35	2096x899	8601.000	8601.060	8602.000	8602.060
8028.547	87x39x32	2200x1000x800	8128.235	83x35	2096x899	8601.000	8601.080	8602.000	8602.080
8626.548	87x24x24	2200x600x600	8126.235	83x20	2096x499	8601.600	8601.060	8602.600	8602.060
8628.548	87x24x32	2200x600x800	8128.235	83x20	2096x499	8601.600	8601.080	8602.600	8602.080
8826.548	87x24x24	2200x600x600	8126.235	83x20	2096x499	8601.600	8601.060	8602.600	8602.060
8828.548	87x32x32	2200x800x800	8128.235	83x28	2096x699	8601.800	8601.080	8602.800	8602.080
8026.548	87x39x24	2200x1000x600	8126.235	83x35	2096x899	8601.000	8601.060	8602.000	8602.060
8028.548	87x39x32	2200x1000x800	8128.235	83x35	2096x899	8601.000	8601.080	8602.000	8602.080

.547 part numbers are vented enclosures; .548 part numbers are non-vented enclosures

TS8 Freestanding Enclosure

UL Type 12, Floormount, Double Door

Part Number	HxWxD inches	HxWxD mm	Sidewalls (Pair)	Mounting Panel HxW inches	Mounting Panel HxW mm	4" (100 mm) High Plinth, Front & Rear	4" (100 mm) High Plinth, Sides	8" (200 mm) High Plinth, Front & Rear	8" (200 mm) High Plinth, Sides
TFSM634712NC	63x47x12	1600x1200x300	Included	59x43	1496x1099	Not Required	Not Required	Not Required	Not Required
TFSM636312NC	63x63x12	1600x1600x300	Included	59x59	1496x1499	Not Required	Not Required	Not Required	Not Required
TFSM716312NC	71x63x12	1800x1600x300	Included	67x59	1696x1499	Not Required	Not Required	Not Required	Not Required
TFSM717112NC	71x71x12	1800x1800x300	Included	67x67	1696x1699	Not Required	Not Required	Not Required	Not Required
TFSM634716NC	63x47x16	1600x1200x400	Included	59x43	1496x1099	Not Required	Not Required	Not Required	Not Required
TFSM636316NC	63x63x16	1600x1600x400	Included	59x59	1496x1499	Not Required	Not Required	Not Required	Not Required
TFSM716316NC	71x63x16	1800x1600x400	Included	67x59	1696x1499	Not Required	Not Required	Not Required	Not Required
TFSM717116NC	71x71x16	1800x1800x400	Included	67x67	1696x1699	Not Required	Not Required	Not Required	Not Required
TFSM634720NC	63x47x20	1600x1200x500	Included	59x43	1496x1099	Not Required	Not Required	Not Required	Not Required
TFSM716320NC	71x63x20	1800x1600x500	Included	67x59	1696x1499	Not Required	Not Required	Not Required	Not Required
TFSM717120NC	71x71x20	1800x1800x500	Included	67x67	1696x1699	Not Required	Not Required	Not Required	Not Required
TFSM634724NC	63x47x24	1600x1200x600	Included	59x43	1496x1099	Not Required	Not Required	Not Required	Not Required
TFSM636324NC	63x63x24	1600x1600x600	Included	59x59	1496x1499	Not Required	Not Required	Not Required	Not Required
TFSM716324NC	71x63x24	1800x1600x600	Included	67x59	1696x1499	Not Required	Not Required	Not Required	Not Required
TFSM717124NC	71x71x24	1800x1800x600	Included	67x67	1696x1699	Not Required	Not Required	Not Required	Not Required

UL Type 3R, Floormount, Double Door

Part Number	HxWxD inches	HxWxD mm	Sidewalls (Pair)	Mounting Panel HxW inches	Mounting Panel HxW mm	4" (100 mm) High Plinth, Front & Rear	4" (100 mm) High Plinth, Sides	8" (200 mm) High Plinth, Front & Rear	8" (200 mm) High Plinth, Sides
TFSM634716NCR	63x47x16	1600x1200x400	Included	59x43	1496x1099	Not Required	Not Required	Not Required	Not Required
TFSM636316NCR	63x63x16	1600x1600x400	Included	59x59	1496x1499	Not Required	Not Required	Not Required	Not Required
TFSM634720NCR	63x47x20	1600x1200x500	Included	59x43	1496x1099	Not Required	Not Required	Not Required	Not Required
TFSM636320NCR	63x63x20	1600x1600x500	Included	59x59	1496x1499	Not Required	Not Required	Not Required	Not Required
TFSM716316NCR	71x63x16	1800x1600x400	Included	67x59	1696x1499	Not Required	Not Required	Not Required	Not Required
TFSM717116NCR	71x71x16	1800x1800x400	Included	67x67	1696x1699	Not Required	Not Required	Not Required	Not Required
TFSM716320NCR	71x63x20	1800x1600x500	Included	67x59	1696x1699	Not Required	Not Required	Not Required	Not Required
TFSM747120NCR	71x71x20	1800x1800x500	Included	67x67	1696x1699	Not Required	Not Required	Not Required	Not Required
TFSM717124NCR	71x71x24	1800x1800x600	Included	67x67	1696x1699	Not Required	Not Required	Not Required	Not Required

UL Type 12, IP 55, Disconnect, Single Door

Part Number	HxWxD inches	HxWxD mm	Sidewalls (Pair)	Mounting Panel HxW inches	Mounting Panel HxW mm	4" (100 mm) High Plinth, Front & Rear	4" (100 mm) High Plinth, Sides	8" (200 mm) High Plinth, Front & Rear	8" (200 mm) High Plinth, Sides
8945.580	55x32x20	1400x800x500	8184.235	51x28	1296x699	8601.800	8601.050	8502.800	8602.050
8945.500	55x39x20	1400x100x500	8145.235	51x35	1296x899	8601.000	8601.050	8602.000	8602.050
8965.500	63x32x20	1600x800x500	8165.235	59x28	1496x699	8601.800	8601.050	8602.200	8602.050
8966.500	63x32x24	1600x800x600	8166.235	59x28	1496x699	8601.800	8601.060	8602.800	8602.060
8984.500	71x32x16	1800x800x400	8184.235	67x28	1696x699	8601.800	8601.040	8602.800	8602.040
8985.500	71x32x20	1800x800x500	8185.235	67x28	1696x699	8601.800	8601.050	8602.800	8602.050
8980.500	71x39x20	1800x1000x500	8185.235	67x35	1696x699	8601.000	8601.050	8602.000	8602.050
8905.500	79x32x20	2000x800x500	8105.235	75x28	1896x699	8601.800	8601.050	8602.800	8602.050
8906.500	79x31x24	2000x800x600	8106.235	75x28	1896x699	8601.800	8601.060	8602.800	8602.060
8996.500	79x39x24	2000x1000x600	8106.235	75x35	1896x899	8601.000	8601.060	8602.000	8602.060
8908.500	79x31x31	2000x800x800	8108.235	75x28	1896x699	8601.800	8601.080	8602.800	8602.080
8925.500	87x31x20	2200x800x500	8125.235	83x28	2096x699	8601.800	8601.050	8602.800	8602.050
8958.500	87x39x20	2200x100x500	8126.235	83x35	2096x899	8601.000	8601.050	8602.800	8602.050
8926.500	87x31x24	2200x800x600	8126.235	83x28	2096x699	8601.800	8601.606	8602.800	8602.050

TS8 Freestanding Enclosure

UL Type 12, IP 55, Disconnect, Double Door

Part Number	HxWxD inches	HxWxD mm	Sidewalls (Pair)	Mounting Panel HxW inches	Mounting Panel HxW mm	4" (100 mm) High Plinth, Front & Rear	4" (100 mm) High Plinth, Sides	8" (200 mm) High Plinth, Front & Rear	8" (200 mm) High Plinth, Sides
8901.600	71x63x16	1800x1600x400	8184.235	67x59	1696x1499	8601.920	8601.040	8602.920	8602.040
8901.602	71x71x16	1800x1800x400	8184.235	67x67	1696x1699	8901.920	8601.040	8901.930	8602.040
8901.610	71x63x20	1800x1600x500	8185.235	67x59	1696x1499	8601.920	8601.050	8602.920	8602.050
8901.630	71x71x20	1800x1800x500	8185.235	67x59	1696x1699	8901.920	8601.050	8901.930	8602.050
8901.650	79x63x20	2000x1600x500	8105.235	75x59	1896x1499	8601.920	8601.050	8602.920	8602.050
8901.680	79x71x20	2000x1800x500	8105.235	75x59	1896x1699	8901.920	8601.050	8901.930	8602.050
8901.640	71x71x24	1800x1800x600	8186.235	67x67	1696x1699	8901.920	8601.060	8901.930	8602.060
8901.660	79x63x24	2000x1600x600	8106.235	75x67	1896x1499	8601.920	8061.060	8602.920	8602.060
8901.690	79x71x24	2000x1800x600	8106.235	75x67	1896x1699	8901.920	8601.060	8901.930	8602.060
8901.670	79x63x31	2000x1600x800	8108.235	75x59	1896x1499	8601.920	8601.080	8602.920	8602.080

UL Type 12, Floormount Disconnect, Double Door

Part Number	HxWxD inches	HxWxD mm	Sidewalls (Pair)	Mounting Panel HxW inches	Mounting Panel HxW mm	4" (100 mm) High Plinth, Front & Rear	4" (100 mm) High Plinth, Sides	8" (200 mm) High Plinth, Front & Rear	8" (200 mm) High Plinth, Sides
TSFM634716XC	63x47x16	1600x1200x400	Included	59x43	1496x109	Not Required	Not Required	Not Required	Not Required
TSFM636316XC	63x63x16	1600x1600x400	Included	59x59	1496x1499	Not Required	Not Required	Not Required	Not Required
TSFM716316XC	71x63x16	1800x1600x400	Included	67x59	1696x1499	Not Required	Not Required	Not Required	Not Required
TSFM717116XC	71x71x16	1800x1800x400	Included	67x67	1696x1699	Not Required	Not Required	Not Required	Not Required
TSFM634720XC	63x47x20	1600x1200x500	Included	59x43	1496x1099	Not Required	Not Required	Not Required	Not Required
TSFM636320XC	63x63x20	1600x1600x500	Included	59x59	1496x1499	Not Required	Not Required	Not Required	Not Required
TSFM716320XC	71x63x20	1800x1600x500	Included	67x59	1696x1499	Not Required	Not Required	Not Required	Not Required
TSFM717120XC	71x71x20	1800x1800x500	Included	67x67	1696x1699	Not Required	Not Required	Not Required	Not Required
TSFM634721XC	63x47x24	1600x1200x600	Included	59x43	1496x1099	Not Required	Not Required	Not Required	Not Required
TSFM636342XC	63x63x24	1600x1600x600	Included	59x59	1496x1499	Not Required	Not Required	Not Required	Not Required
TSFM717124XC	71x71x24	1800x1800x600	Included	67x67	1696x1699	Not Required	Not Required	Not Required	Not Required

Stainless Steel, UL Type 12, IP 55, Single Door – Type 304

Part Number	HxWxD inches	HxWxD mm	Sidewalls (Pair)	Mounting Panel HxW inches	Mounting Panel HxW mm	4" (100 mm) High Plinth, Front & Rear	4" (100 mm) High Plinth, Sides	8" (200 mm) High Plinth, Front & Rear	8" (200 mm) High Plinth, Sides
8454.600	71x32x16	1800x800x400	8700.840	67x28	1696x699	8701.800	8701.040	8702.800	8702.040
8457.600	71x24x20	1800x600x500	8700.850	67x20	1696x499	8701.600	8701.050	8702.600	8702.050
8455.600	71x32x20	1800x800x500	8700.850	67x28	1696x699	8701.800	8701.050	8702.800	8702.050
8452.600	79x24x24	2000x600x600	8700.060	75x20	1896x499	8701.600	8701.060	8702.600	8702.060
8450.600	79x32x24	2000x800x600	8700.060	75x28	1896x699	8701.800	8701.060	8702.800	8702.060

Stainless Steel, UL Type 12, IP 55, Double Door – Type 304

Part Number	HxWxD inches	HxWxD mm	Sidewalls (Pair)	Mounting Panel HxW inches	Mounting Panel HxW mm	4" (100 mm) High Plinth, Front & Rear	4" (100 mm) High Plinth, Sides	8" (200 mm) High Plinth, Front & Rear	8" (200 mm) High Plinth, Sides
8456.600	71x47x16	1800x1200x400	8700.840	67x43	1696x1099	8701.200	8701.040	8702.200	8702.040
8453.600	71x47x20	1800x1200x500	8700.850	67x43	1696x1099	8701.200	8701.050	8702.200	8702.050
8451.600	79x47x24	2000x1200x600	8700.060	75x43	1896x1099	8701.200	8701.060	8702.200	8702.060

Stainless Steel, UL Type 12, IP 55, Single Door – Type 316L

Part Number	HxWxD inches	HxWxD mm	Sidewalls (Pair)	Mounting Panel HxW inches	Mounting Panel HxW mm	4" (100 mm) High Plinth, Front & Rear	4" (100 mm) High Plinth, Sides	8" (200 mm) High Plinth, Front & Rear	8" (200 mm) High Plinth, Sides
8454.500	71x32x16	1800x800x400	8700.840	67x28	1696x699	8701.800	8701.040	8702.800	8702.040
8457.500	71x24x20	1800x600x500	8700.850	67x20	1696x499	8701.600	8701.050	8702.600	8702.050
8455.500	71x32x20	1800x800x500	8700.850	67x28	1696x699	8701.800	8701.050	8702.800	8702.050
8452.500	79x24x24	2000x600x600	8700.060	75x20	1896x499	8701.600	8701.060	8702.600	8702.060
8450.500	79x32x24	2000x800x600	8700.060	75x28	1896x699	8701.800	8701.060	8702.800	8702.060

TS8 Freestanding Enclosure

Stainless Steel, UL Type 12, IP 55, Double Door – Type 316L

Part Number	HxWxD inches	HxWxD mm	Sidewalls (Pair)	Mounting Panel HxW inches	Mounting Panel HxW mm	4" (100 mm) High Plinth, Front & Rear	4" (100 mm) High Plinth, Sides	8" (200 mm) High Plinth, Front & Rear	8" (200 mm) High Plinth, Sides
8456.500	71x47x16	1800x1200x400	8700.840	67x43	1696x1099	8701.200	8701.040	8702.200	8702.040
8453.500	71x47x20	1800x1200x500	8700.850	67x43	1696x1099	8701.200	8701.050	8702.200	8702.050
8451.500	79x47x24	2000x1200x600	8700.060	75x43	1896x1099	8701.200	8701.060	8702.200	8702.060

Stainless Steel UL Type 4X, IP 66 Single Door – Type 304

Part Number	HxWxD inches	HxWxD mm	Sidewalls (Pair)	Mounting Panel HxW inches	Mounting Panel HxW mm	4" (100 mm) High Plinth, Front & Rear	4" (100 mm) High Plinth, Sides	8" (200 mm) High Plinth, Front & Rear	8" (200 mm) High Plinth, Sides
9978.420	63x24x16	1600x600x400	9978.424	59x20	1496x499	8701.600	8701.040	9963.525	9978.427
9978.421	63x32x16	1600x800x400	9978.424	59x28	1496x699	8701.800	8701.040	9963.525	9978.427
9978.422	79x32x16	2000x800x400	9978.425	75x28	1896x699	8701.800	8701.040	9963.525	9978.428
8750.680	79x32x24	2000x800x600	8700.680	75x28	1896x699	8701.800	8701.060	9969.527	8700.064
9978.423	79x32x32	2000x800x800	9978.426	75x28	1896x699	8701.800	8701.080	9978.435	8700.084

Stainless Steel UL Type 4X, IP 66 Floormount, Double Door – Type 304

Part Number	HxWxD inches	HxWxD mm	Sidewalls (Pair)	Mounting Panel HxW inches	Mounting Panel HxW mm	4" (100 mm) High Plinth, Front & Rear	4" (100 mm) High Plinth, Sides	8" (200 mm) High Plinth, Front & Rear	8" (200 mm) High Plinth, Sides
9978.429	63x47x16	1600x1200x400	Included	59x43	1469x1099	Not Required	Not Required	Not Required	Not Required
9978.430	63x63x16	1600x1600x400	Included	59x59	1469x1499	Not Required	Not Required	Not Required	Not Required
9978.431	63x47x20	2000x1600x400	Included	59x43	1869x1499	Not Required	Not Required	Not Required	Not Required
9978.432	63x63x20	1600x1600x600	Included	59x59	1469x1499	Not Required	Not Required	Not Required	Not Required
9978.433	71x63x16	1800x1600x800	Included	67x59	1869x1499	Not Required	Not Required	Not Required	Not Required

Accessories for External Use

Description	PU	Part. No.
Base		
Plinth bolt-down brackets	10	2817.000
Replacement cover cap for 4" (100 mm) plinth	4	8601.130
Replacement cover cap for 8" (200 mm) plinth	4	8601.140
Leveling feet, 1 – 2" (18 – 43 mm), 660 lb (300 kg) per leveling foot, M12 thread	4	4612.000
Twin casters, 265 lb (120 kg) per caster, black	4	7495.000
Walls		
Hinges for sidewalls, RAL 7035	6	8800.110
Roof		
Roof spacers, 0.4" (10 mm) height	4	2422.000
Roof spacers, 0.8" (20 mm) height	4	2423.000
Roof spacers, 2.0" (50 mm) height	4	7967.000
Replacement eyebolts, M12 thread	4	4568.000
Button-head screws, M12 thread	20	4198.000
Anti-tip wall bracket for anchoring enclosure to wall	4	4595.000
Doors/Locks		
Handle adaptor for viewing door, RAL 7035	1	8611.080
Replacement lock catches, die-cast zinc	4	8800.040
Replacement 130° hinges, die-cast zinc	4	8800.020
180° hinges, RAL 7035	4	8800.190
180° hinges, nickel plated	4	8701.180
Comfort handle, RAL 7035	1	8611.020

Description	PU	Part. No.
Doors/Locks (continued)		
Enclosure key, double-bit no. 5	1	2531.000
Enclosure lock-out/tag-out, for 6 locks	2	2493.500
Single interface flap, plastic	1	2482.300
Double interface flap, plastic	1	2482.310
Single interface flap, metal, UL	1	2482.320
Double interface flap, metal, UL	1	2482.330
Interface flap insert, NEMA 5-15 plug	1	2482.420
Interface flap insert, fused NEMA 5-15 plug	1	2482.430
Interface flap Insert, 2x USB A	1	2482.540
Interface flap insert, USB A, RJ 45, SUB-D9	1	2482.570
Interface flap insert, blank plate	1	2482.590
USB interface extension, 118" (3 meters)	1	2482.230
RJ45 interface extension, 118" (3 meters)	1	2482.720
External data pocket, 16"Hx14"Wx3"D (409x356x76 mm) RAL7035	1	EDP1614C
External data pocket, 14"Hx19"Wx3"D (356x487x76 mm) RAL7035	1	EDP1419C
External fold-down shelf, 12"Hx12"Wx2"D (305x305x51 mm)	1	FDS1212C
External fold-down shelf, 18"Hx18"Wx2"D (457x457x51 mm)	1	FDS1818C
Internal fold-down shelf for 600 mm wide doors, 16"Wx16"D (413x400 mm)	1	4638.600
Internal fold-down shelf for 800 mm wide doors, 24"Wx16"D (613x400 mm)	1	4638.800
Baying Hardware		
External baying brackets, plated sheet steel	6	8800.490

TS8 Accessories

Accessories for External Use (continued)

Description	PU	Part. No.
Doors/Locks (continued)		
Comfort handle, padlockable, RAL 7035	1	8611.290
Key lock insert (for key #3524E) for comfort handle	1	8611.180
Comfort handle, nickle-plated	1	8611.330
Push-button insert for comfort handle	1	8611.190
Key locking push-button insert (for key #12321) for comfort handle	1	8611.200
Screwdriver lock insert for comfort handle	1	8611.140

Accessories for Internal Use

Description	PU	Part No.
Door Hardware		
Door roller, for lifting a loaded door	10	4538.000
Door stop	5	4583.000
Replacement spring washers for lockrods	100	8800.070
Print pocket, plastic, A3	1	2513.000
Flange Mount Disconnect		
Interconnecting rods for 24" (600 mm) wide cabinets	10	4916.000
Interconnecting rods for 32" (800 mm) wide cabinets	10	4918.000
Interconnecting rods for 47" (1200 mm) wide cabinets	10	4920.000
Electrical door interlock, 120V	1	2419.000
Interlock activator, for main door	1	4912.000
Slave-door defeater kit	1	4911.000
Replacement FMD enclosure interlock kit	1	8611.310
Mounting Panel Hardware		
Width divider, for 47" (1200 mm) wide enclosure*	1	8800.200
Side-mount mounting panel hardware	10	8800.090
Mounting panel brackets, for back to back panels	2	8800.280
Full size mounting panel hinge kit*	1	8800.810
Partial mounting panel hinge kit*	1	8614.100
Baying Hardware		
Quick fit baying clamps	6	8800.500
Angular/corner baying brackets	4	8800.430
Flat baying brackets	4	4582.500
Baying brackets, for use with divider wall	8	8800.470
Suiting kit, UL type 4, RAL 7035, 70.9"Hx23.6"D (1800x600 mm)	1	8186.504
Suiting kit, UL type 4, RAL 7035, 78.7"Hx23.6"D (2000x600 mm)	1	8106.504
Suiting kit, UL type 4X, SS, 70.9"Hx23.6"D (1800x600 mm)	1	8700.864
Suiting kit, UL type 4X, SS, 78.7"Hx23.6"D (2000x600 mm)	1	8700.064
NEMA 4X Baying kit, 63x16" HxD (1600 mmx400 mm HxD), 304 stainless steel	1	9978.427
NEMA 4X Baying kit, 79x16" HxD (2000 mmx400 mm HxD), 304 stainless steel	1	9978.428
Enclosure Lights and Hardware		
10-LED light, 24V DC, 9" (230 mm)	1	4140.810
20-LED light, 24V DC, 13" (330 mm)	1	4140.820
30-LED light, 24V DC, 17" (430 mm)	1	4140.830
40-LED light, 24V DC, 21" (530 mm)	1	4140.840
LED connection cable, 3m length	1	4315.800
Door operated switch with LED connection cable, 3 m length	1	4315.810
Door operated switch with LED connection cable, 1 m length	1	4315.820

*Additional parts required

Description	PU	Part. No.
Baying Hardware (continued)		
External baying brackets, stainless steel	6	8700.000
Eyebolt interconnection brackets, plated sheet steel	4	4540.000
Paint		
Touch-up paint, 12 oz. aerosol can, RAL 7035	1	9093.006
Touch-up paint, 1 qt. can, RAL 7035	1	9094.006
Touch-up paint, 0.6 oz. bottle, RAL 7035	1	9095.006

Description	PU	Part. No.
Enclosure Lights and Hardware (continued)		
LED connection cable for through wiring, 0.6 m length	1	4315.830
LED connection cable for through wiring, 1 m length	1	4315.840
LED connection cable for through wiring, 3 m length	1	4315.850
Adaptor power pack, 100-230V AC to 24V DC, 1A, Europlug	1	4315.860
Compact light, UL 110-240V, 50/60Hz, 8W, 17.9" (455 mm)	1	4140.210
Compact light, UL 110-240V, 50/60Hz, 14W, 27.8" (705 mm)	1	4140.220
Compact light, 24V DC, 8W, 17.9" (455 mm)	1	4140.110
Compact light, 24V DC, 14W, 28" (705 mm)	1	4140.120
Door switch with cable, for compact light, UL		4315.720
Enclosure light, UL, 120V, 60Hz, 15W, 18" (455 mm) with receptacle	1	9968.111
Enclosure light, UL, 120V, 60Hz, 18W, 24" (600 mm) with receptacle	1	9968.112
Door switch, without cable	1	4127.000
Universal light, UL, 110-240V, 50/60Hz, 26W, 13.5" (345 mm)	1	4155.510
Power cable for universal light, UL, 118" (3000 mm)	1	4315.150
Through connection cable, UL, 24" (600 mm)	1	4315.450
Frame adaptor bracket, for lights or cable duct	6	8800.360
Magnetic mounting kit for the Compact light	2	4140.000
Grounding		
Ground straps, AWG 11, 6.7" (170 mm)	5	2564.000
Ground straps, AWG 11, 11.8" (300 mm)	5	2567.000
Ground straps, AWG 5, 6.7" (170 mm)	5	2565.000
Ground straps, AWG 5, 11.8" (300 mm)	5	2568.000
Ground straps, AWG 3, 6.7" (170 mm)	5	2566.000
Ground straps, AWG 3, 11.8" (300 mm)	5	2569.000
Grounding rail, with isolators, 17.7" (450 mm) 200A	1	7113.000
Cable Management		
Cable ties, for use with round frame holes	100	2597.000
General Hardware		
Cage nuts, M5	50	4166.000
Cage nuts, M6	50	4164.000
Cage nuts, M8	50	4165.000
Threaded blocks with tab, M6	50	4162.000
Threaded blocks with tab, M8	50	4163.000
M6x12 mm screws	300	2504.500
Captive nuts, M6, for 19" (482.6 mm) rails	50	2092.200
Assembly screws, M6, T30, for 19" (482.6 mm) rails	100	7094.600
Torx head screws, M5.5x13, for use on frame	300	2486.500

TS8 12" (305 mm) Floor Stands & Solid Base Pan

Description	PU	16"D (400 mm)	20"D (500 mm)	24"D (600 mm)	32"D (800 mm)
TS Floor Stand Kit, 12"H (305 mm), carbon steel	2	9963.522	9963.523	9963.524	-
TS Floor Stand Kit, 12"H (305 mm), 304 stainless steel	2	9963.525	9963.526	9963.527	9978.435
TS Floor Stand Kit, 12"H (305 mm), 316L stainless steel	2	9963.528	9963.529	9963.530	-
TS Solid Base Pan, 48"W (1200 mm), Carbon steel	1	9963.531	9963.532	9963.533	-
TS Solid Base Pan, 63"W (1600 mm), Carbon steel	1	9963.534	9963.535	9963.536	-
TS Solid Base Pan, 71"W (1800 mm), Carbon steel	1	9963.537	9963.538	9963.539	-
TS Solid Base Pan, 48"W (1200 mm), 304 stainless steel	1	9963.540	9963.541	9963.542	-
TS Solid Base Pan, 48"W (1200 mm), 316L stainless steel	1	9963.543	9963.544	9963.545	-

Height Specific Accessories

Description	PU	55" (1400 mm)	63" (1600 mm)	71" (1800 mm)	79" (2000 mm)	87" (2200 mm)
Mounting panel joining piece	1	9968.448	4589.700	4590.700	4591.700	4592.700
TS to PS adaptor rail	4	-	-	8800.380	8800.300	8800.320
System bars, 0.9x0.9" (23x23 mm)*	6	4393.000	4175.000	4176.000	4177.000	4178.000
System chassis, 0.9x2.9" (23x73 mm)*	4	-	-	4379.000	4380.000	4381.000
Cable duct, 1.6" (50 mm) width	8	-	8800.570	8800.520	-	-
Cable duct, 3.9" (100 mm) width	4	-	8800.540	8800.510	-	-
19" rails, C-shaped*	2	7827.140	7827.160	7827.180	7827.200	7827.220
19" rails, L-shaped*	2	7827.141	7827.161	7827.181	7827.201	7827.221
19" rails, extruded aluminum	4	-	8613.060	8613.080	8613.000	8613.020

*Additional parts required

Width Specific Accessories

Description	PU	16" (400 mm)	20" (500 mm)	24" (600 mm)	32" (800 mm)	40" (1000 mm)	48" (1200 mm)
Door Support Rails	20	4594.000	4309.000	4596.000	4598.000	4599.000	-
Folding desk panel, internal, door-mount	1	-	-	4638.600	4638.800	-	-
Print pocket, sheet steel, RAL 7035	1	4114.000	4115.000	4116.000	4118.000	4124.000	-
Mounting panel support rails	2	-	-	-	-	-	4333.120
Partial mounting panel, 20"Hx12"W (500x300 mm)	1	8614.640	-	8614.640	-	-	-
Partial mounting panel, 20"Hx16"W (500x400 mm)	1	-	-	8614.650	-	-	-
Partial mounting panel, 20"Hx20"W (500x500 mm)	1	-	-	8614.660	-	-	-
Partial mounting panel, 20"Hx28"W (500x700 mm)	1	-	-	8614.680	8614.680	-	-
Partial mounting panel, 20"Hx31"W (500x775 mm)	1	-	-	8614.675	-	-	-
Partial mounting panel, 28"Hx12"W (700x300 mm)	1	8614.840	-	-	8614.840	-	-
Partial mounting panel, 28"Hx16"W (700x400 mm)	1	-	-	-	8614.850	-	-
Partial mounting panel, 28Hx28W" (700x700 mm)	1	-	-	-	8614.880	-	-
Partial mounting panel, 35"Hx12"W (900x300 mm)	1	8614.040	-	-	-	8614.040	-
Partial mounting panel, 35"Hx16"W (900x400 mm)	1	-	-	-	-	8614.050	-
Partial mounting panel, 35"Hx20"W (900x500 mm)	1	-	-	8614.060	-	8614.060	-
Partial mounting panel, 43"Hx12"W (1100x300 mm)	1	8614.240	-	-	-	-	8614.240
Partial mounting panel, 43"Hx16"W (1100x400 mm)	1	-	-	-	-	-	8614.250
Partial mounting panel, 43"Hx20"W (1100x500 mm)	1	-	-	8614.260	-	-	8614.260
TS system chassis with flange, for outer level	4	8612.140	8612.150	8612.160	8612.180	8612.100	8612.120
TS system chassis with flange, for inner level	4	8612.040	8612.050	8612.060	8612.080	8612.000	8612.020
TS system chassis with flange (PS hole pattern)	4	-	8612.550	8612.560	8612.580	8612.500	8612.520
System bars, 0.9x0.9" (23x23 mm)*	12	4169.000	4170.000	4171.000	4172.000	4173.000	4174.000**
PS system chassis without flange	4	4374.000	4375.000	4376.000	4377.000	4382.000	4378.000
PS system chassis with flange	4	8800.640	8800.650	4364.000	4365.000	4373.000	4367.000
HD punched rails 1.0x1.5" (25x38 mm)	2	8612.740	8612.750	8612.760	8612.780	-	-
HD system chassis without flange	2	-	8612.650	8612.660	8612.680	-	-
System support rails, with T-head screws	2	-	-	4361.000	4362.000	4347.000	4363.000
Heavy duty support rails, with holes	4	4394.000	4395.000	4396.000	4398.000	-	-
Cable duct, 1.6" (40 mm) width	20	-	-	8800.731	8800.736	8800.741	8800.746
Cable duct, 3.9" (100 mm) width	12	-	-	8800.734	8800.739	8800.744	8800.749

TS8 Accessories

Width Specific Accessories (continued)

Partial swing frame, 12U	1	–	–	2377.090	2377.120	–	–
Partial swing frame installation kit	1	–	–	2377.860	2377.880	–	–
130° full height swing frame installation kit	1	–	–	1994.835	1995.235	–	1996.535
180° full height swing frame installation kit	1	–	–	–	1997.235	–	–
Door interlocking rods, FMD	10	–	–	4916.000	4918.000	–	4920.000

*Additional parts required

**6 PU

Depth Specific Accessories

Description	PU	16" (400 mm)	20" (500 mm)	24" (600 mm)	32" (800 mm)
Top baying cover, RAL 7035	1	8800.840	8800.850	8800.860	8800.880
Top baying cover, 304SS	1	8700.140	8700.150	8700.160	–
Partial mounting panel, 20"Hx12"W (500 x 300 mm)	1	8614.640	–	8614.640	–
Partial mounting panel, 20"Hx16"W (500 x 400 mm)	1	–	8614.650	8614.650	–
Partial mounting panel, 20"Hx20"W (500 x 500 mm)	1	–	–	8614.660	–
Partial mounting panel, 20"Hx28"W (500 x 700 mm)	1	–	–	8614.680	8614.680
Partial mounting panel, 20"Hx31"W (500 x 775 mm)	1	–	–	8614.675	–
Partial mounting panel, 28"Hx12"W (700 x 300 mm)	1	8614.840	–	–	8614.840
Partial mounting panel, 28"Hx16"W (700 x 400 mm)	1	–	8614.850	–	8614.850
Partial mounting panel, 28"Hx28"W (700 x 700 mm)	1	–	–	–	8614.880
Partial mounting panel, 35"Hx12"W (900 x 300 mm)	1	8614.040	–	–	–
Partial mounting panel, 35"Hx16"W (900 x 400 mm)	1	–	8614.050	–	–
Partial mounting panel, 35"Hx20"W (900 x 500 mm)	1	–	–	8614.060	–
Partial mounting panel, 35"Hx12"W (900 x 300 mm)	1	8614.240	–	–	–
Partial mounting panel, 35"Hx16"W (900 x 400 mm)	1	–	8614.250	–	–
Partial mounting panel, 35"Hx20"W (900 x 500 mm)	1	–	–	8614.260	–
TS system chassis with flange, for outer level	4	8612.140	8612.150	8612.160	8612.180
TS system chassis with flange, for inner level	4	8612.040	8612.050	8612.060	8612.080
TS system chassis with flange (PS hole pattern)	4	–	8612.550	8612.560	8612.580
System bars, 0.9x0.9" (23x23 mm)*	12	4169.000	4170.000	4171.000	4172.000
PS system chassis without flange	4	4374.000	4375.000	4376.000	4377.000
PS system chassis with flange*	4	8800.640	8800.650	4364.000	4365.000
HD punched rails 1.0x1.5" (25x38 mm)	2	8612.740	8612.750	8612.760	8612.780
HD system chassis without flange	2	–	8612.650	8612.660	8612.680
Top-mounted transformer rails	2	–	9960.644	9960.643	9960.645
Heavy duty support rails, with holes	4	4394.000	4395.000	4396.000	4398.000

*Additional parts required

Shelves

Description	PU	24"Wx20"D (600x500 mm)	24"Wx24"D (600x600 mm)	24"Wx32"D (600x800 mm)	32"Wx20"D (800x500 mm)	32"Wx24"D (800x600 mm)	32"Wx32"D (800x800 mm)
Shelf, 110 lb. (50 kg), vented (mounted with system chassis)*	1	7164.035	7165.035	7166.735	7184.035	7185.035	7186.735
Shelf, 110 lb. (50 kg), solid (mounted with system chassis)*	1	7264.035	7265.035	–	–	–	–
Shelf, 220 lb. (100 kg), vented (mounted with system chassis)*	1	7464.035	7465.035	7466.735	7484.035	7485.035	7486.735
Telescopic slides, for 110 lb. (50 kg) chassis mounted shelves	2	7061.000	7081.000	7161.700	7061.000	7081.000	7161.700
Telescopic slides, for 220 lb. (100 kg) chassis mounted shelves	2	7064.000	7065.000	7066.700	7064.000	7065.000	7066.700
Shelf, 165 lb. (75 kg), fixed, vented (frame mounted)	1	–	7828.660	7829.680	–	7828.680	7828.880
Rack/panel mounted shelf, 9.8" (250 mm) depth	1	7119.250	7119.250	7119.250	7119.250	7119.250	7119.250
Rack/panel mounted shelf, 15.8" (400 mm) depth	1	7119.400	7119.400	7119.400	7119.400	7119.400	7119.400
Rack/door mount shelf/writing table, 17.7x11.6" (450x295 mm)	1	7183.100	7183.100	7183.100	7183.100	7183.100	7183.100

*Additional parts required

Replacement Doors and Mounting Panels

Description	PU	55"Hx24"W (1400x600 mm)	55"Hx32" W (1400x800 mm)	55"Hx47"W (1400x1200 mm)	–	–	–
Single door	1	8645.593	8845.593	–	–	–	–
Left door	1	–	–	8245.592	–	–	–
Right door	1	–	–	8245.593	–	–	–
Mounting panel	1	8645.791	8845.791	8245.791	–	–	–

Description	PU	63"Hx24"W (1600x600 mm)	63"Hx32"W (1600x800 mm)	63"Hx47"W (600x1200 mm)	–	–	–
Single door	1	8665.593	8865.593	–	–	–	–
Left door	1	–	–	8265.592	–	–	–
Right door	1	–	–	8265.593	–	–	–
Mounting panel	1	8665.791	8865.791	8265.791	–	–	–

Description	PU	71"Hx24"W (1800x600 mm)	71"Hx32"W (1800x800 mm)	71"Hx39"W (1800x1000 mm)	71"Hx47"W (1800x1200 mm)	71"Hx63"W (1800x1600 mm)	71"Hx71"W (1800x1800 mm)
Single door	1	8684.593	8884.593	8084.593	–	–	–
Left door	1	–	8880.592	8080.592	8284.592	8901.800	8901.820
Right door	1	–	8880.593	8080.593	8284.593	8901.810	8901.830
Viewing door	1	8610.680	8610.880	–	–	–	–
Mounting panel	1	8684.791	8880.791	8080.791	8284.791	8901.960	8901.970

Description	PU	79"Hx24"W (2000x600 mm)	79"Hx32"W (2000x800 mm)	79"Hx39"W (2000x1000 mm)	79"Hx47"W (2000x1200 mm)	79"Hx63"W (2000x1600 mm)	79"Hx71"W (2000x1800 mm)
Single door	1	8604.593	8804.593	8006.596	–	–	–
Left door	1	–	–	8005.592	8204.592	8901.840	8901.860
Right door	1	–	–	8005.593	8204.593	8901.850	8901.870
Viewing door	1	8610.600	8610.800	–	–	–	–
Mounting panel	1	8604.791	8804.791	8005.791	8204.791	8901.980	8901.990

Description	PU	87"Hx24"W (2200x600 mm)	87"Hx32"W (2200x800 mm)	87"Hx39"W (2200x1000 mm)	87"Hx47"W (2200x1200 mm)	–	–
Single door	1	8626.593	8826.593	8026.593	–	–	–
Left door	1	–	–	–	8226.592	–	–
Right door	1	–	–	–	8226.593	–	–
Viewing door	1	8610.620	8610.820	–	–	–	–
Mounting panel	1	8626.791	8826.791	8026.791	8226.791	–	–

Modular Front (MC) Accessories

Description	PU	24" W (600 mm)	32" W (800 mm)
Trim piece, 11.8" (300 mm) height, hinged at top	1	8801.230	8801.240
Door stay, for hinged trim piece	2	8801.260	8801.260
Trim panel set, 3.9" (100 mm) height	1	8801.510	8801.110
Cross mullion/member	5	8801.630	8801.830
Partial door, 7.9" (200 mm) height	1	8801.520	8801.120
Partial door, 15.7" (400 mm) height	1	8801.540	8801.140
Partial door, 23.6" (600 mm) height	1	8801.560	8801.160
Partial door, 31.5" (800 mm) height	1	8801.580	8801.180
Partial door, 39.4" (1000 mm) height	1	8801.500	8801.100
Partial viewing door, 15.7" (400 mm) height	1	8801.550	–
Partial viewing door, 23.6" (600 mm) height	1	8801.570	8801.170
Partial viewing door, 31.5" (800 mm) height	1	8801.590	–
Keyboard drawer, 7.9" (200 mm) height	1	8801.715	8801.915
External desk/writing unit, 7.9" (200 mm) height	1	8801.705	–
MC sidewalls, 78.7" (2000 mm) height	2	8106.512	8108.512

Rittal – The System.

Faster – better – worldwide.



- Enclosures
- Power Distribution
- Climate Control
- IT Infrastructure
- Software & Services

The Rittal Corporation is the U.S. subsidiary of Rittal GmbH & Co. KG and manufactures the world's leading industrial and IT enclosures, racks and accessories, including climate control and power management systems for industrial, data center, outdoor and hybrid applications. For more information about Rittal and its products, please visit www.rittal.us or call 1-800-477-4000.

Rittal Corporation

1 Rittal Place • Urbana Ohio 43078 • USA
Woodfield Corporate Center • 425 North Martingale Road, Suite 400 • Schaumburg Illinois 60173 • USA
Phone: 937-399-0500 • Fax: 800-477-4003 • Toll-free: 800-477-4000
Email: rittal@rittal.us • Online: www.rittal.us

Rittal Systems Ltd.

6485 Ordan Drive • Mississauga Ontario L5T 1X2 • Canada
Phone: 905-795-0777 • Fax: 905-795-9548 • Toll-free: 800-399-0748
Email: marketing@rittal.ca • Online: www.rittal.ca

ENCLOSURES

POWER DISTRIBUTION

CLIMATE CONTROL

IT INFRASTRUCTURE

SOFTWARE & SERVICES

FRIEDHELM LOH GROUP

