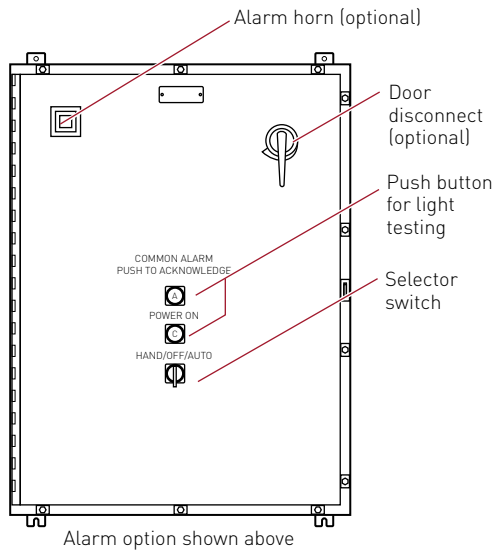


Raychem HTPG

HEAT-TRACING POWER DISTRIBUTION PANEL FOR GROUP CONTROL

Ground-fault protection, monitoring, and optional alarm panel

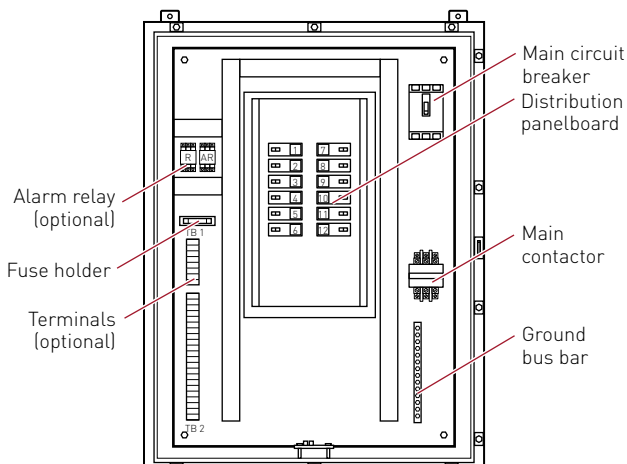


PRODUCT OVERVIEW

The Raychem HTPG is a dedicated power distribution, control, ground-fault protection, monitoring, and alarm panel for freeze protection and broad temperature maintenance heat-tracing applications. This wall-mounted enclosure contains an assembled circuit-breaker panelboard.

Panels are equipped with circuit breakers with or without alarm contacts.

The group control package allows the system to operate automatically in conjunction with an external controller/thermostat.



LOAD POWER

120 / 208 / 240 / 277 Vac

AMBIENT OPERATING TEMPERATURE

32°F (0°C) to 122°F (50°C) (without space heater option)

FIELD WIRE SIZE

14-8 AWG (15-30 A), 8-4 AWG (40-50 A)

CIRCUIT BREAKER TYPES

To comply with NEC Article 427-55(a), circuit breakers are equipped with the means for lockout in the "Off" position.

Ground-fault breaker

Square D types QOB-EPD, EDB-EPD

CIRCUIT BREAKER AMPERAGE RATING

120 Vac	20 A, 30 A, 40 A, 50 A
208 / 240 / 277 Vac	20 A, 30 A, 40 A, 50 A

MAIN CONTACTOR

3 pole

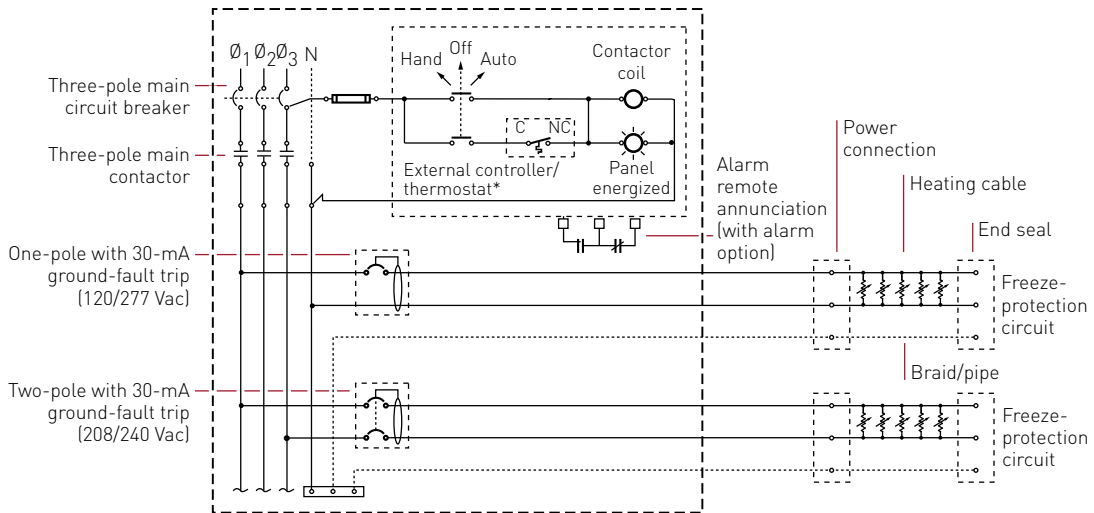
APPROVALS



GROUND-FAULT PROTECTION

To minimize the danger of fire from sustained electrical arcing if the heating cable is damaged or improperly installed, and to comply with the requirements of Pentair Thermal Building & Industrial Heat Tracing Solutions, agency certifications, and national electrical codes, ground-fault equipment protection must be used on each heating cable branch circuit. Arcing may not be stopped by conventional circuit protection. Many Raychem control and monitoring systems meet the ground-fault protection requirement.

HTPG TYPICAL FREEZE-PROTECTION APPLICATION SCHEMATIC



HTPG CATALOG NUMBER

HTPG comes in a variety of configurations. The following chart outlines the elements that constitute a configuration and the corresponding catalog number.

HTPG - Voltage - Panelboard - C.B. type - # of C.B./# of poles (rating) - Enclosure - MCB - Options

HTPG - 277/480 - 30 - 2 - 14/1P (30) - 4X - 200 - H

Voltage			
120/208	120/240*	277/480	
Panelboard size			
18 = 18 space panelboard (277 V only)			
30 = 30 space panelboard			
42 = 42 space panelboard			
54 = 54 space panelboard (277 V only)			
Circuit breaker type			
2 = GFCB (30-mA trip) without alarm			
3 = GFCB (30-mA trip) with bell alarm			
4 = GFCB (30-mA trip) with relay alarm (includes terminal block option). Not available for 277 V			
Number of circuit breakers/number of poles (circuit breaker rating) see prior page			
# of breakers (no bell alarm option)			
120 V	208 V	240 V	277V
(1P)	(2P)	(2P)	(1P)
18 (1-18)	(1-8)	(1-8)	(1-8)
30 (1-30)	(1-14)	(1-14)	(1-14)
42 (1-42)	(1-20)	(1-20)	(1-20)
54 -	-	-	(1-26)
# of breakers (bell alarm option)			
120 V	208 V	240 V	277 V
(1P)	(2P)	(2P)	(1P)
18 (1-8)	(1-6)	(1-6)	(1-8)
30 (1-14)	(1-10)	(1-10)	(1-14)
42 (1-20)	(1-14)	(1-14)	(1-20)
54 -	-	-	(1-26)

- Option**
- 0 = None
 - A = Alarm horn (requires C.B. type 3 or 4)
 - B = Alarm beacon (requires C.B. type 3 or 4)
 - C = Heat-trace contactor failure light
 - D = Door disconnect
 - E = Environmental purge (TYPE 4 or 4X enclosures only)
 - G = Panel power-on light
 - H = Space heater and thermostat
 - L = Individual circuit breaker trip indication lights (requires C.B. type 4)
 - P = Heat-trace energized light
 - T = Terminal blocks (prewired)
 - W = Wired for ETI controller
 - Z = Z-purge system (TYPE 4 or 4X enclosures only)
- SP= Special requirement: Must contain complete description of variance**

MCB

Main circuit breaker and contactor

Panelboard size	120/208		120/240		277/480	
	120/208	120/240	120/240	277/480	277/480	277/480
18	50, 100		50, 100		30, 50, 70, 125	
30	50, 100, 150, 200, 225		50, 60, 80, 150, 175, 200, 225		50, 70, 125, 175, 225	
42	50, 100, 150, 200, 225		50, 60, 80, 150, 175, 200, 225		50, 70, 125, 175, 225	
54	-		-		50, 70, 125, 175, 225	

- Enclosure**
- 12 = TYPE 12 (indoors)
 - 4 = TYPE 4 (outdoors)
 - 4X = TYPE 4X (stainless steel-outdoors)

* Single phase

Available from



WWW.PENTAIRTHERMAL.COM

NORTH AMERICA

Tel: +1.800.545.6258
Fax: +1.800.527.5703
Tel: +1.650.216.1526
Fax: +1.650.474.7711
thermal.info@pentair.com

EUROPE, MIDDLE EAST, AFRICA

Tel: +32.16.213.511
Fax: +32.16.213.603
thermal.info@pentair.com

ASIA PACIFIC

Tel: +86.21.2412.1688
Fax: +86.21.5426.2937
cn.thermal.info@pentair.com

LATIN AMERICA

Tel.: +1.713.868.4800
Fax: +1.713.868.2333
thermal.info@pentair.com

Pentair is owned by Pentair or its global affiliates. All other trademarks are the property of their respective owners. Pentair reserves the right to change specifications without prior notice.

© 1997-2016 Pentair.