

Electric Cord and Cable Reels  
Featuring New  
Commercial Cord Reels

# HUBBELL



Available from

**B BREWS**  
BREWSSUPPLY.COM



Wiring Device-Ketems

## Hubbell Electric Cord and Cable Reels

Hubbell Wiring Device - Kellems now offers a complete line of electric cord, cable and static discharge reels for commercial, industrial and weatherproof applications. Hubbell reels eliminate unmanaged cords and cables which cause trip hazards or electric shock due to damaged wire insulation. These reels provide safe and

effective wire management for your facility or plant floor.

For **Safety, Durability and Performance** look to the industry **Leader... look to Hubbell.**

**Weatherproof Cable Reels** are made for the most abusive and demanding environments. These reels feature a solid steel construction, a 600V rating with SOW - A type cable and Type 4X enclosure rating. They are designed for use with 15 & 20 amp industrial products such as portable outlet boxes, Insulgrip® and Twist-Lock® devices and pendant push-button stations.



**Industrial Cord Reels** are built to provide safe, convenient power and lighting for demanding industrial applications and environments. The industrial reels are all steel construction, have a 300V rating with SJ type cord and can be ceiling, wall or bench mounted. They are available with fluorescent or incandescent hand lamps as well as a HBL5269C connector body and portable outlet box versions.



**Commercial Cord Reels** are designed for the less demanding requirements of commercial and light industrial environments. The Commercial reels feature steel construction and have a 125V rating with SJT type cord. These reels are UL Listed and provide power and lighting for all your needs.



**Static Discharge Reels** ground portable equipment operating in hazardous environments. When properly clamped to ground, the static discharge reel will prevent the build up of static electricity and reduce the chance of sparking which could cause an explosion.

Hubbell has developed a broad product line of cord reels to offer safe and efficient wire management solutions for all applications. Whatever your requirements, **Hubbell has the "reel" safety story.**



## Weatherproof Cable Reels

### Features

- Solid steel construction
- UL Type 4X enclosure rating
- Polyester baked on powder coat finish
- Ratchet lock
- Multi position roller guide
- Pivot base

### Benefits

- Superior design for the most demanding environments.
- Watertight enclosure protects spring motor, junction box, slip ring assembly and cable entrance from hose-down and corrosion.
- Baked on finish provides tightly bonded shield to protect reel from abrasion or corrosion.
- Can be disengaged in field for constant tension applications, built in product flexibility.
- Adjustable guide with nylon rollers may be mounted in four different positions.
- Allows 340° rotation of reel. Increases range of cable to nearly any direction.

---

## Industrial Cord Reels

### Features

- Steel construction with yellow powder coat finish
- Multi-position guide arm
- Multi directional nylon rollers on guide arm
- 12 AWG 3 cond. cord standard on power reels
- Positive-latch mechanism
- Plug in power cord

### Benefits

- Durable design and corrosion resistant.
- Mounting on the ceiling, wall, floor or bench.
- Easier pull and prolonged cord life.
- Greater current carrying capacity.
- Automatically maintains desired cord length.
- Requires no electrical wiring.

---

## Commercial Cord Reels

### Features

- Steel Construction
- Automatic shut off switch
- Molded on plug for power cord
- Compact size/flexible mounting
- Automatic ratchet lock

### Benefits

- Durable design for commercial and general purpose applications.
- Available on fluorescent & incandescent versions. The automatic switch turns off power to the electrical attachment when the cord is fully retracted.
- Requires no electrical wiring.
- Takes up little room and can be ceiling, wall or bench mounted.
- Holds cord at desired length and provides easy, smooth retraction of cord.

---

## Static Discharge Reels

### Features

- Steel construction
- Compact design
- Massive grounding jaw clamp

### Benefits

- High quality durable design.
- Takes up little space.
- Provides secure low resistance ground termination.

## Ordering Information - Weatherproof Cable & Static Discharge Reels

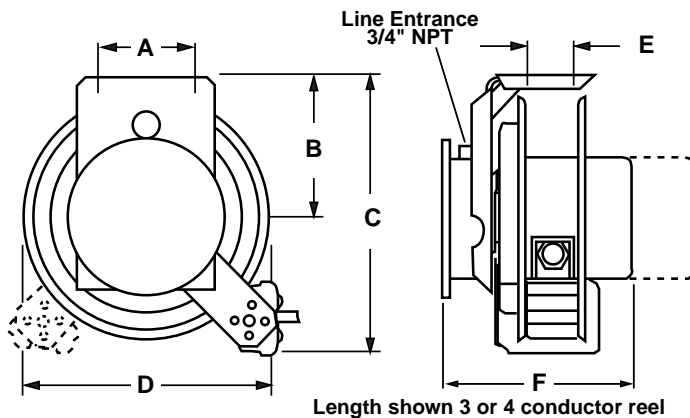
Description	Catalog Number	Cable Type	Cable Length ft. m	Cable Gauge	Number of Conductors	Volts	Amps	Weight lbs. kg.
14" Weatherproof Reel	HBL501431W†	SOW-A	50 15.2	14	3	600	15	55 24
16" Weatherproof Reel	HBL501232W†	SOW-A	50 15.2	12	3	600	20	86 38.7
16" Weatherproof Reel	HBL501242W†	SOW-A	50 15.2	12	4	600	16	86 38.7
16" Weatherproof Reel	HBL501032W†	SOW-A	50 15.2	10	3	600	25	86 38.7
16" Weatherproof Reel	HBL501042W†	SOW-A	50 15.2	10	4	600	20	92 41.1
Static Discharge Reel	HBL50SD	Steel	50 15.2	3/32 O.D.	1	-	-	12 5.4
Static Discharge Reel	HBL50YSD	Steel	50 <sup>◇</sup> 15.2	3/32 O.D.	1 (Dual "Y")	-	-	13 5.9
14" Pivot Base	HBL14PB	-	- -	-	-	-	-	5 2.27
16" Pivot Base	HBL16PB	-	- -	-	-	-	-	13 5.9

\* Refer to static reels    ◇ (35ft./10.6m + Dual 15ft./4.5m for "Y")    † All weatherproof cable reels are available with wire leads.

## Specification Data

### Weatherproof Reel

INCH(MM)	A	B	C	D	E	F	G	H	I	J
14" Reel	6.50 (165)	8.12 (206)	16.25 (413)	13.75 (349)	3.00 (76)	12.19 (310)	3.00 (76)	3.00 (76)	3.00 (76)	6.50 (165)
16" Reel	6.50 (165)	9.12 (232)	18.25 (464)	17.00 (432)	3.00 (76)	14.19 (360)	6.00 (152)	6.00 (152)	3.00 (76)	6.50 (165)



### Weatherproof Cable Reel

#### Listings/Certifications

UL 355 and CSA 22.2 No. 21-M90  
Type 4X enclosure  
CAN/CSA - C22.2 No. 21-M-90

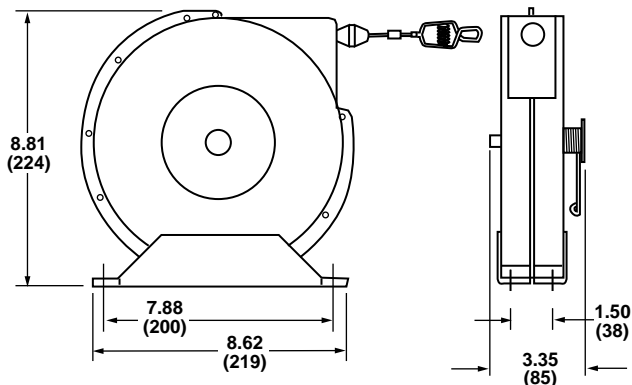
#### Operation

Damp, dry, indoor non hazardous location.

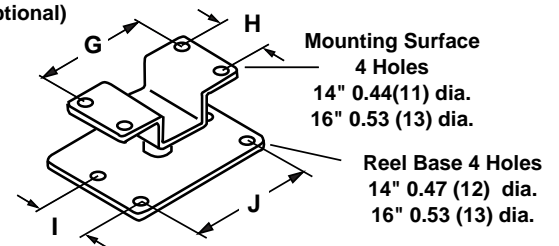
#### Classification

Agriculture, automotive, commercial and industrial applications.

### Static Discharge Reel



### 340° Pivot Base (Optional)



Pivot base for use only with Weatherproof Cable Reel

## Ordering Information - Industrial Cord Reels

Description	Catalog Number	Cord Type	Cord Length		Cord Gauge	Number of Conductors	Volts	Amps	Weight	
			ft.	m					lbs.	kg.
Reel with HBL5269C connector	<b>HBL45123C</b>	SJEO	45	13.7	12	3	125	15	26	11.8
Reel with portable outlet box*	<b>HBL45123R</b>	SJEO	45	13.7	12	3	125	15	27	12.3
Reel with incandescent hand lamp	<b>HBL50163IN</b>	SJT	50	15.2	16	3	125	15	25	11.3
Reel with fluorescent hand lamp	<b>HBL50162FL</b>	SJT	50	15.2	16	2	120AC	13	24	10.9

\*Available in 4Q97

## Specification Data

### Listings/Certifications

UL 355/CSA C22.2 No. 21-M90

### Operation

Dry, indoor, non hazardous locations

### Classification

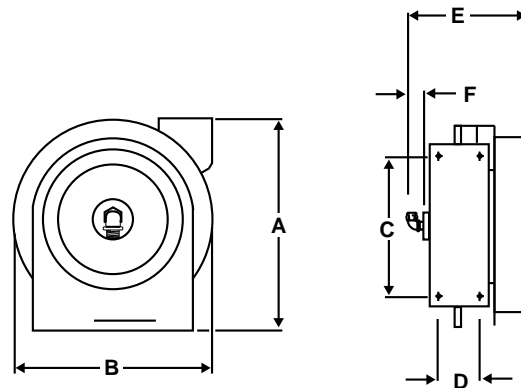
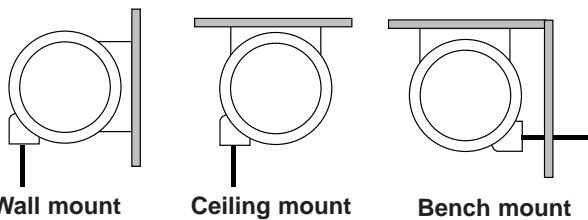
Commercial/Industrial

### Incandescent lamp

100 watt max., switch, no receptacle

### Fluorescent lamp

13 watt only



IN(MM)

A	B	C	D	E	F
13.25	12.38	8	2.5	9.38	1.25
(337)	(321)	(203)	(64)	(238)	(32)

## Ordering Information - Commercial Cord Reels

Description	Catalog Number	Cord Type	Cord Length		Cord Gauge	Number of Conductors	Volts	Amps	Weight	
			ft.	m					lbs.	kg.
Reel w/fluorescent hand lamp & inline receptacle	<b>HBLC25163FL</b>	SJT	25	7.62	16	3	120 VAC	10	9	4.1
Reel w/fluorescent hand lamp & automatic shut off switch	<b>HBLC25162AFL</b>	SJT	25	7.62	16	2	120 VAC	0.3	8.2	3.7
Reel with non metallic incandescent hand lamp & automatic shut off switch	<b>HBLC25163AIN</b>	SJT	25	7.62	16	3	125	10	9	4.1
Reel with metallic incandescent hand lamp with receptacle & circuit breaker	<b>HBLC25143IN</b>	SJT	25	7.62	14	3	125	13	9.5	4.3
Reel with wire leads	<b>HBLC25163</b>	SJT	25	7.62	16	3	125	10	8.5	3.9
Reel with HBL5969VBK connector	<b>HBLC25163C</b>	SJT	25	7.62	16	3	125	10	8.5	3.9

## Specification Data

### Listings/Certifications

UL 355

### Operation

Dry, indoor, non hazardous locations

### Classification

Commercial/Industrial

### Incandescent lamp

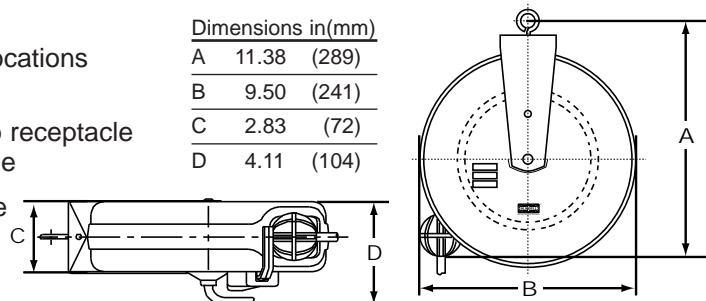
75 watt max., auto switch, no receptacle  
100 watt max., with receptacle

### Fluorescent lamp

13 watt with in-line receptacle  
13 watt without receptacle

Dimensions in(mm)

A	11.38	(289)
B	9.50	(241)
C	2.83	(72)
D	4.11	(104)



## Accessories

### Portable Outlet Box

Description	Catalog Number
Box with cord strain relief; with one blank coverplate	<b>HBLPOB1</b>
Box with cord strain relief; with two duplex (indoor) cover plates	<b>HBLPOB1D</b>
Blank nonmetallic FS cover plate; with foam gasket; gray	<b>HBLP14FS</b>
Duplex nonmetallic FS cover plate; gray	<b>HBLP8FS</b>
Single receptacle (1.39") nonmetallic FS cover plate; gray	<b>HBLP7FS</b>
Single receptacle (1.56") nonmetallic FS cover plate; gray	<b>HBLP720FS</b>
Rectangular opening nonmetallic FS cover plate; gray	<b>HBLP26FS</b>



### Other Hubbell cover plates and devices which may be used with Portable Outlet Box

Duplex cover plate; weatherproof	<b>5221, 52CM21</b>
Single receptacle cover plate; weatherproof, 1.39"	<b>7423W0, 74CM23W0</b>
Single receptacle cover plate; weatherproof; 1.56"	<b>7425WOA, 74CM25WOA</b>
Safety-Shroud Twist-Lock® surface receptacles	<b>HBL2310SR series, HBL2410SR series, HBL2610SR series, HBL2710SR series</b>

### Twist-Lock® Devices

#### 2 Pole, 3 Wire Grounding 20 Ampere, 125, 250 Volts and 277 Volts AC Connector Bodies



NEMA L5-20R  
20A 125V  
UL/CSA  
1 HP



NEMA L6-20R  
20A 250V  
UL/CSA  
2 HP

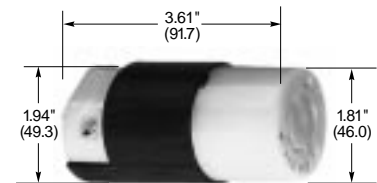


NEMA L7-20R  
20A 277V AC  
UL/CSA  
2 HP



#### Insulgrip Connector Bodies IP20 SUITABILITY

Description	Catalog Numbers		
Black and white nylon.	<b>2313</b>	<b>2323</b>	<b>2333</b>
Black and white nylon.	<b>2313CN*</b>	<b>2323CN*</b>	—
Corrosion resistant, yellow nylon.	<b>23CM13</b>	<b>23CM23</b>	—



**2313**

#### Watertight Safety-Shroud Connector Bodies IP66 SUITABILITY

Description	Catalog Numbers		
Black Valox housing, White Valox clamps	<b>HBL2313SW</b>	<b>HBL2323SW</b>	<b>HBL2333SW</b>



NEMA L8-20R  
20A 480V AC  
UL/CSA  
5 HP



NEMA L9-20R  
20A 600V AC  
UL/CSA



**HBL2323SW**

#### Insulgrip Connector Bodies IP20 SUITABILITY

Description	Catalog Numbers	
Black and white nylon.	<b>2343</b>	<b>2353</b>
Black and white nylon.	<b>2343CN*</b>	<b>2353CN*</b>



NEMA L14-20R  
20A 125/250V  
UL/CSA  
2 (1) HP



NEMA L15-20R  
20A 3Ø 250V AC  
UL/CSA  
3 HP



NEMA L16-20R  
20A 3Ø 480V AC  
UL/CSA  
5 HP

#### Insulgrip Connector Bodies IP20 SUITABILITY

Description	Catalog Numbers		
Black and white nylon.	<b>2413</b>	<b>2423</b>	<b>2433</b>
Black and white nylon.	<b>2413CN*</b>	<b>2423CN*</b>	<b>2433CN*</b>

Note: Catalog numbers listed above with suffix CN have combination Robertson/slotted head terminal and assembly screws.



### ® Wiring Device - Kellems

Hubbell Incorporated (Delaware) • 185 Plains Road • Milford, CT 06460-2420 • (203) 882-4800 • FAX (800) 255-1031  
World Wide Web URL: <http://www.hubbell-wiring.com>

#### Worldwide Locations

Hubbell Canada (905) 839-1138, Fax (905) 839-9108  
Hubbell Ltd. England (441) 234-855444, Fax (441) 234-854008  
Hubbell-Taian Co., Ltd., (886) 2 567-5995, Fax (886) 2 567-4853  
Hubbell Int'l. Inc., Korea Branch (82) 2 607-1362, Fax (82) 2 603-7386

Hubbell de Mexico, S.A. de C.V. (52) 5 575-2022, Fax (52) 5 559-8626  
Caribe Sales Agencies, Puerto Rico (809) 720-7185, Fax (809) 789-2796  
Hubbell S.E. Asia Pte., Ltd., (65) 382-1600, Fax (65) 382-3727  
Hubbell Inc. Middle East (971) 4 369-763, Fax (971) 4 360-541