

# Temporary Power and Lighting Systems

## Index

Product	Page
Spider® Distribution Systems . . . . .	S-3
Portable Outlet Boxes and Plates . . . . .	S-6
Pre-Wired Portable Outlet Boxes, Worklights and Accessories . . . . .	S-7
Temporary Power Distribution Systems Dimensional Specifications . . . . .	S-8



# Spider® II Temporary Power and Lighting Systems

Features and Benefits



## Temporary Power Distribution Systems

# Spider® II Temporary Power Boxes

### Features and Benefits

Individual GFCI modules.

Gasketed latching receptacle lift covers.

Available with flush 50A Twist-Lock® inlet or 60A IEC reversed service Pin and Sleeve receptacle.

Replaceable legs.

6-20 Amp straight blade or Twist-Lock® watertight receptacles.

Standard stab termination circuit breakers with gasketed lift cover.



- Compact electronic supervisory circuit.
- Detailed wiring diagram.
- TYPE 3R metallic enclosure and heavy duty, abuse resistant legs.

Hubbell's Spider II temporary power distribution system sets the safety and performance standard for temporary power needs. Construction sites and outdoor events place more demands on electrical power than ever before. Hubbell's Spider box steps up to the challenge by offering advanced electrical and safety features. The Spider II box incorporates the most advanced ground fault module technology available in the industry today, ensuring safe and reliable distribution of electrical power for a wide variety of temporary power applications.

#### Breadth of Line and Innovation

Hubbell manufactures a variety of Spider II Boxes and temporary power products for both indoor and outdoor power and lighting applications. Hubbell's next generation Spider products incorporate the most innovative

wiring devices in 75 years, the Hubbell Safety Shroud Twist-Lock® system. The three shrouded Twist-Lock® receptacle design extends the life of the plug by protecting the blades from abuse and, more importantly, the shroud protects the user from arcing. The Spider II temporary power system incorporates Watertight Safety Shroud Twist-Lock receptacles to provide a UL Type 3R rating when the receptacles are used with Watertight Safety Shroud Twist-Lock plugs. Standard Twist-Lock and Safety Shroud Twist-Lock plugs may be used with these receptacles when water ingress during use is not a concern. To ensure an overall 3R rating when all receptacles are in use, Hubbell has also designed a weatherproof boot. This weatherproof boot for straight blade plugs maintains a 3R rating when it is used with the Spider II straight blade receptacles.

#### Environmental Protection

All Pin and Sleeve, Twist-Lock and straight blade receptacles on each Spider box are protected when not in use by a gasketed, spring loaded flip lid. Hubbell has taken multiple steps to ensure that the Spider II boxes can withstand today's harsh environmental requirements and as a result, the Spider II boxes have earned a 3R enclosure rating for outdoor rainproof applications. In addition to the added safety and water resistant features, Hubbell makes the boxes user friendly by offering a full line of replacement parts for field repairability.

#### Certifications

Hubbell's Spider II Boxes meet NEC requirements for personal protection against electrical shock on job sites and are listed to the latest UL 1640 standard for Portable Power Distribution Equipment.

## Temporary Power Distribution Systems

# Spider® II Temporary Power Boxes Ordering Information



50A Spider® II



60A Spider® II



60A Military Spider® II



### Spider® II Boxes

Rating	Type	Qty	Receptacle Ratings	Receptacle Components	Protection		Catalog Numbers
					Overload	GFI	
30A, 120/240V AC (Max.)	Straight Blade	7	20A, 125V	HBL52R61	Yes	Yes	<b>SDSB1A</b>
	Twist-Lock® (inlet)	1	30A, 120/240V	HBL2715SWR	No	No	
	Twist-Lock® (outlet)	1	30A, 120/240V	HBL2710	No	No	
50A, 120/240V AC (Max.)	Straight Blade	7	20A, 125V	HBL53R61	Yes	Yes	<b>SBSB1A</b>
	Twist-Lock® (inlet)	1	50A, 125/250V	HBL6375S	No	No	
	Twist-Lock® (outlet)	1	50A, 125/250V	CS6369	No	No	
50A, 120/240V AC (Max.)	Straight Blade	6	20A, 125V	HBL53R61	Yes	Yes	<b>SBSB2</b>
	Twist-Lock®	1	30A, 250V	HBL2620SW	Yes	Yes	
	Twist-Lock® (inlet)	1	50A, 125/250V	HBL6375S	No	No	
	Twist-Lock® (outlet)	1	50A, 125/250V	CS6369	No	No	
50A, 120/240V AC (Max.)	Twist-Lock®	7	20A, 125V	HBL2310SW	Yes	Yes	<b>SBTL1A</b>
	Twist-Lock® (inlet)	1	50A, 125/250V	HBL6375S	No	No	
	Twist-Lock® (outlet)	1	50A, 125/250V	CS6369	No	No	
50A, 120/240V AC (Max.)	Twist-Lock®	6	20A, 125V	HBL2310SW	Yes	Yes	<b>SBTL2</b>
	Twist-Lock®	1	30A, 250V	HBL2620SW	Yes	Yes	
	Twist-Lock® (inlet)	1	50A, 125/250V	HBL6375S	No	No	
	Twist-Lock® (outlet)	1	50A, 125/250V	CS6369	No	No	
60A, 3Ø 120/208V AC (Max.)	Straight Blade	6	20A, 125V	HBL53R61	Yes	Yes	<b>SCSB0</b>
	Pin and Sleeve (inlet)	1	60A, 3ØY 120/208V	HBL560B9R	No	No	
	Pin and Sleeve (outlet)	1	60A, 3ØY 120/208V	HBL560R9W	No	No	
60A, 3Ø 120/208V AC (Max.)	Twist-Lock®	6	20A, 125V	HBL2310SW	Yes	Yes	<b>SCTL0</b>
	Pin and Sleeve (inlet)	1	60A, 3ØY 120/208V	HBL560B9R	No	No	
	Pin and Sleeve (outlet)	1	60A, 3ØY 120/208V	HBL560R9W	No	No	

Note: 60A units are UL and cUL only.

### Military Spider® II Boxes

Rating	Type	Qty	Receptacle Ratings	Receptacle Components	Protection		Catalog Numbers
					Overload	GFI	
60A, 3Ø 120/208V AC (Max.)	Straight Blade	6	20A, 125V	HBL53R61	Yes	Yes*	<b>SCSB0M2</b>
	Class "L" (inlet)	1	60A, 3ØY, 120/208V	—	No	No	
	Class "L" (outlet)	1	60A, 3ØY, 120/208V	—	No	No	
60A, 3Ø 120/208V AC (Max.)	Twist-Lock®	6	20A, 125V	HBL2310SW	Yes	Yes*	<b>SCTL0M2</b>
	Class "L" (inlet)	1	60A, 3ØY, 120/208V	—	No	No	
	Class "L" (outlet)	1	60A, 3ØY, 120/208V	—	No	No	

\*GFCI protection on 4 devices only.

# Temporary Power Distribution Systems

## Cable Sets and Receptacles

### Replacement Parts and Specifications

*Cable Sets and Receptacles*

#### Cable Sets and Receptacles

Description	Catalog Numbers
50A pre-wired wall mounted receptacle, with 2 ft. wire leads.	SR50
50A cord set- 50 ft. cable (input/output).	SCB50
60A cord set- 6 ft. cable (input/output).	SCC06
60A cord set- 50 ft. cable (input/output).	SCC50
60A, 3Ø 120/208V Pin and Sleeve wall mounted receptacle.	HBL560R9W
1¼" hub 15 deg. non-metallic angle back box for 60A receptacle.	BB601W
1½" hub 15 deg. metallic 4-way angle back box for 60A receptacle.	FW60100

*Note: Consult factory for alternate cable lengths.*



HBL2310SW

#### Replacement Parts

Description	Catalog Numbers
20A, 125V straight blade receptacle.	HBL53R61
20A, 125V Safety-Shroud Twist-Lock® receptacle.	HBL2310SW
30A, 250V Safety-Shroud Twist-Lock® receptacle.	HBL2620SW
30A, Reverse Service Safety-Shroud connector.	HBL2713SR
30A, Reverse Service inlet.	HBL2715SWR
50A, 125/250V Twist-Lock® receptacle.	CS6369
50A, 125/250V Twist-Lock® inlet.	HBL6375S
60A, 3Ø 120/208V Pin and Sleeve reversed service receptacle (inlet).	HBL560B9R
60A, 3Ø 120/208V Pin and Sleeve receptacle (outlet).	HBL560R9W
60A, 3Ø 120/208V Pin and Sleeve reversed service plug (female).	HBL560P9WR
60A, 3Ø 120/208V Pin and Sleeve plug (male).	HBL560P9W
GFCI module.	GFM20
50A Spider supervisory kit.	SSK
60A Spider supervisory kit.	SSK60
Spider circuit breaker cover.	SCBC
Spider leg kit.	SLK
Spider leg kit, green.	SLKG
50A receptacle cover plate.	HBL77CM74WO



GFM20



SSK

#### Specifications

##### Spider® II

<b>Listing Certification</b>	UL 1640 cUL and CSA, UL 943.
<b>Environment</b>	Indoor and outdoor wet and dry locations.
<b>Enclosure Type</b>	3R, rainproof, suitable for use in damp locations.
<b>Code Compliance</b>	NEC®, ANSI/NFPA 70.



SCBC



SCB50



SR50



HBL2713SR



HBL77CM74WO

## Temporary Power Distribution Systems Portable Outlet Boxes and Plates



**HBLPOB1**



**Cover Plates**



**Deluxe Cord Grips  
(purchased separately)**



**Gray Nylon  
Cord Connector**

### Portable Outlet Boxes and Plates

Description	Catalog Numbers
Box with cord strain relief, with one blank cover plate.	<b>HBLPOB1</b>
Box with cord strain relief, with two duplex (indoor) cover plates.	<b>HBLPOB1D</b>
Box with cord strain relief, with two duplex (indoor), yellow cover plates.	<b>HBLPOB1DY</b>
Blank, non-metallic FS cover plate with foam gasket, gray.	<b>HBLP14FS</b>
Duplex, non-metallic FS cover plate, gray.	<b>HBLP8FS</b>
Duplex, non-metallic FS cover plate, yellow.	<b>HBLP8FSY</b>
Single receptacle (1.39"), non-metallic FS cover plate, gray.	<b>HBLP7FS</b>
Single receptacle (1.56"), non-metallic FS cover plate, gray.	<b>HBLP720FS</b>
Rectangular opening, non-metallic FS cover plate, gray.	<b>HBLP26FS</b>

Note: Standard product gray, CM yellow.

### Other cover plates and devices which may be used with Portable Outlet Box

Duplex cover plate, weatherproof.	<b>HBL5221, HBL52CM21</b>
Single receptacle (1.39") cover plate, weatherproof.	<b>HBL7423WO, HBL74CM23WO</b>
Single receptacle (1.56") cover plate, weatherproof.	<b>HBL7425WOA, HBL74CM25WOA</b>
Safety-Shroud Twist-Lock® surface receptacles.	<b>HBL2310SR series, HBL2410SR series</b>

Note: Standard product gray, CM yellow.

### Deluxe Cord Grips Straight Male Thread

#### Nylon Fittings, Stainless Steel Mesh, Liquidtight, for Insulated Cables

Grip Diameter Inches	Range (cm.)	Thread Size N.P.T. (inches)	Form Size	Catalog Numbers
.375"-.500"	(.95-1.27)	3/4"	F3	<b>074011335</b>
.500"-.625"	(1.27-1.59)	3/4"	F3	<b>074011336</b>
.625"-.750"	(1.59-1.90)	3/4"	F3	<b>074011337</b>

### Nylon Cord Connector Straight Male Thread

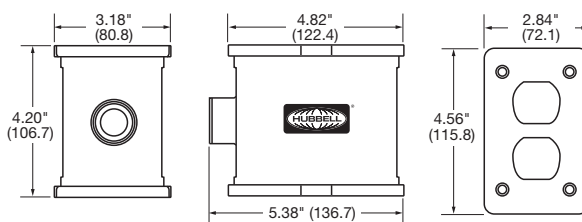
Grip Diameter Inches	Range (cm.)	Thread Size N.P.T. (inches)	Form Size	Catalog Numbers
.375"-.500"	(.95-1.27)	3/4"	F3	<b>SHC1035CR</b>
.500"-.625"	(1.27-1.59)	3/4"	F3	<b>SHC1036CR</b>
.625"-.750"	(1.59-1.90)	3/4"	F3	<b>SHC1037CR</b>

### Specifications

UL Listed	UL 514C, UL467 and UL50 Enclosures Types 1, 3R,
CSA Certified	C22.2 No. 18 and C22.2 No. 94 Enclosures Types 1, 3R and C22.2 No. 0.4 (Impedance).
Box Specifications:	
Moisture Resistance	Wet and damp locations, Enclosure Type 3R when used with weatherproof cover plates. Dry, indoors locations, Enclosure Type 1 with all other cover plates.
Flammability	UL 94V-0, 94-5VA classification.
Operating Temperature	80°C maximum; -35°C minimum.
UV Resistance	All materials are UV stabilized.
Impact and Crush Resistance	in accordance with UL 514C, UL50, C22.2 No. 18 and C22.2 No. 94.
Material	Valox®.
Cord Connector Materials	Nylon nut; Nylon Gotcha® ring; Neoprene grommet
Cord Diameter Range	.38" to .75" diameter.
Bonding Strap Material	Brass.
Threaded Inserts	Brass.
Grounding Screw Material	Brass.
Indoor Cover Plate Screws Material	Zinc Plated Steel.
Outdoor Cover Plate Screws Material	Stainless Steel.
Cover Plate Gasket Material	UL recognized closed-cell foam (aging and oil resistant).

Valox® is a trademark of SABIC Innovative Plastics, acquired from General Electric Company.

### Dimensions



**HBLPOB1**

# Temporary Power Distribution Systems

## Pre-Wired Portable Outlet Boxes, Worklights and Accessories

Ordering Information and Specifications

### Pre-Wired Portable Outlet Boxes

Description	Catalog Numbers
25 ft. with 2-15A, 125V, straight blade single receptacles and 1- 15A, 125V straight blade plug and boot.	SPB1
25 ft. with 2-20A, 125V, Twist-Lock® single receptacles and 1-20A, 125V Twist-Lock plug and boot.	SPB2



SPB1



SPB2

### Worklights and Accessories

Description	Catalog Numbers
Temporary worklight with 15A, 125V straight blade plug, 25 ft. cord.	TW25F1
Temporary worklight with 20A, 125V Twist-Lock plug, 25 ft. cord.	TW25F2
Temporary low voltage worklight with cigarette lighter plug, 20 ft. cord.	TWL20F
Portable battery pack and charger for TWLV20F worklight.	TWBP
Non-metallic temporary worklight hook.	TWH



TW25F1



TW25F2



TWLV20F



TWBP



TWH

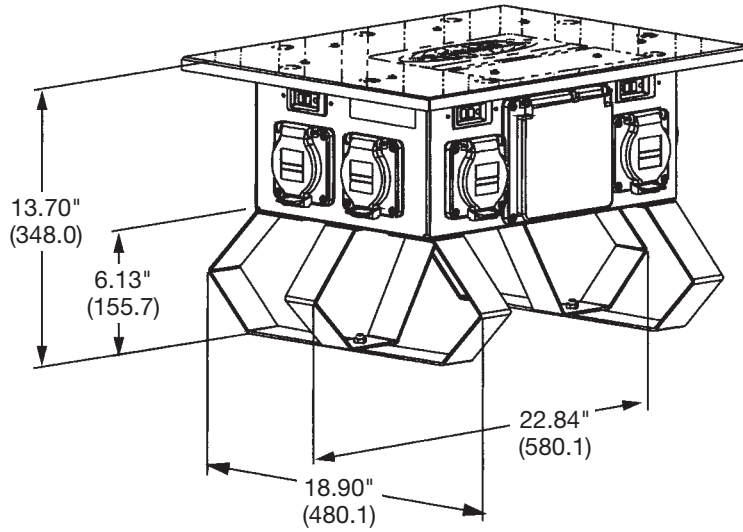
### Specifications

Temporary Worklights	
<b>Listings/Certifications</b>	UL298 and cUL Portable Electric Hand Lamps.
<b>Environment</b>	Dry, indoor locations.
<b>Fluorescent Lamp</b>	13 watt twin tube only.
Battery Pack and Charger	
<b>Environment</b>	Indoor and outdoor dry locations.
<b>Fluorescent Lamp Life</b>	Fully charged-5 hour approx.
<b>Charge Time</b>	Fully charged-16 hours approx.
<b>Battery Rating</b>	12 volt.

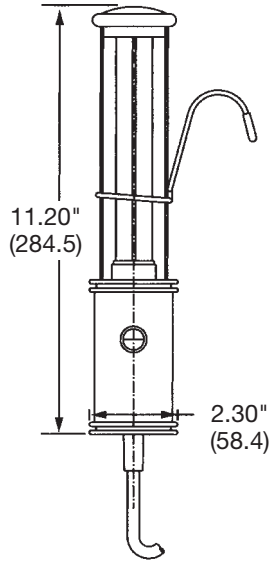
# Temporary Power Distribution Systems

## Dimensional Specifications

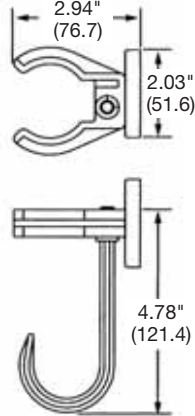
### Spider® II Temporary Power Box



### Light Fixture



### Worklight Hook



### Battery Pack and Charger

